

(close window)

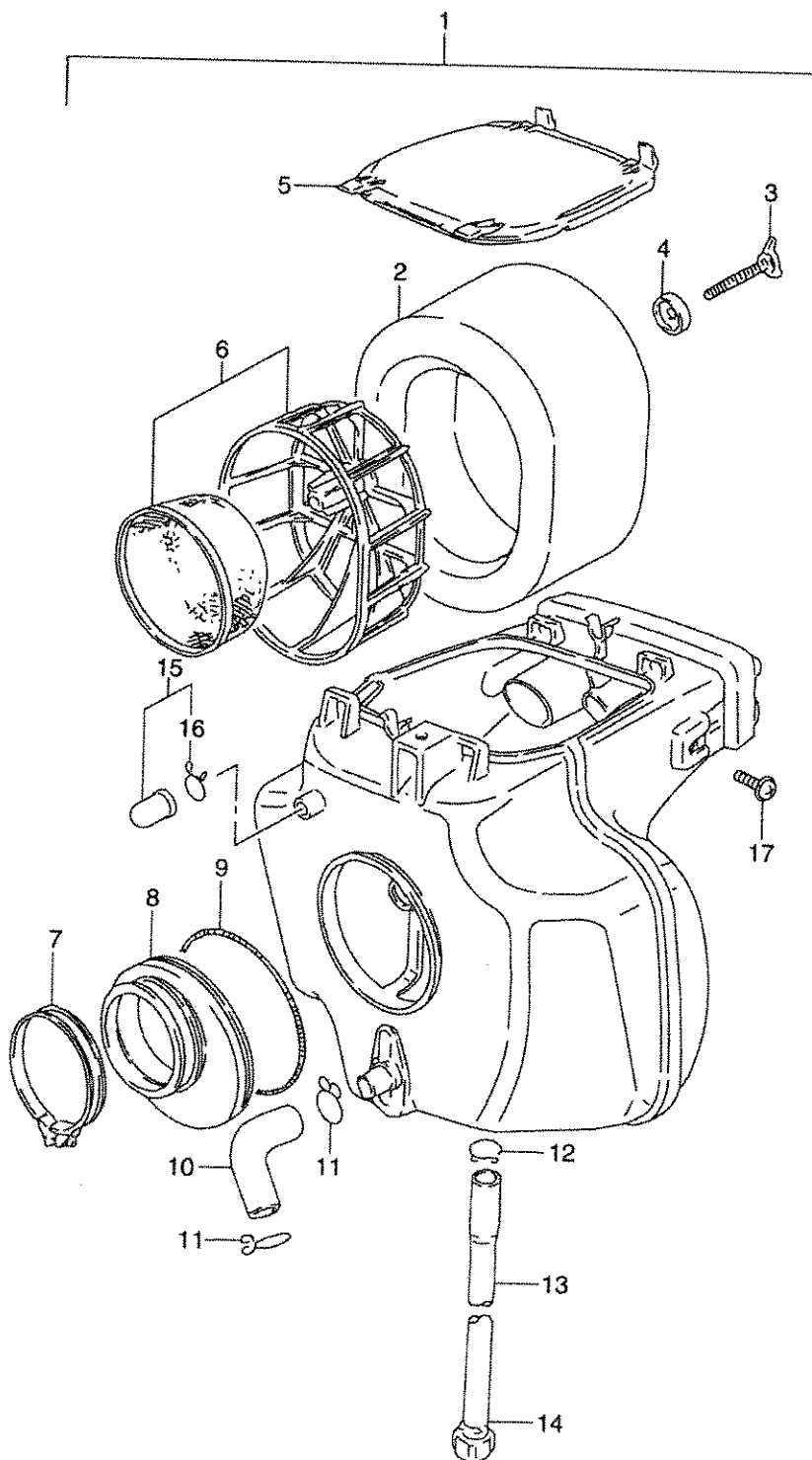
Bell's Suzuki
667 New Circle Road
Lexington, KY 40505
(859) 299-3521
www.bellssuzuki.com

**1996 SUZUKI
DR200SE 1996-2000
AIR CLEANER**



October 27, 2005

FIG.10



REF#	PART	#REQ	REMARKS	YOUR PRICE
1-1	CLEANER ASSY, AIR 13700-42A01	1		\$98.06
1-2	CLEANER ASSY, AIR 13700-42A01	1		\$98.06
2	.FILTER 13780-42A01	1		\$24.13
3	.BOLT, WING 13831-42A00	1		\$2.62
4	.WASHER 13796-16700	1		\$1.37
5	.CAP 13740-42A00	1		\$13.23
6	.HOLDER 13790-42A00	1		\$35.72
7	.CLAMP 09402-56208	1		\$2.74
8	.TUBE, OUTLET 13881-42A00	1		\$9.57
9	.CLAMP 13826-38300	1		\$1.85
10	.TUBE, BREATHER 13853-42A00	1		\$5.10
11	.CLIP 09401-14301	2		\$1.01
12	CLIP, 2ND AIR VALVE HOSE NO.2 09401-13409	1		\$1.00
13	.TUBE, DRAIN 13870-11458	1		\$10.76
14	CLIP, 2ND AIR VALVE HOSE NO.2 09401-13409	1		\$1.00
15	.PLUG, DRAIN 13870-14F00	1		\$4.25
16	.CLIP 09401-16401	1		\$1.41
17	SCREW 02112-36163	3		\$0.97

(close window)

Bell's Suzuki
667 New Circle Road
Lexington, KY 40505
(859) 299-3521
www.bellssuzuki.com

1996 SUZUKI
DR200SE 1996-2000
October 27, 2005
(prices subject to change without notice)



Bell's Suzuki
667 New Circle Road
Lexington, KY 40505
(859) 299-3521
www.bellsuzuki.com

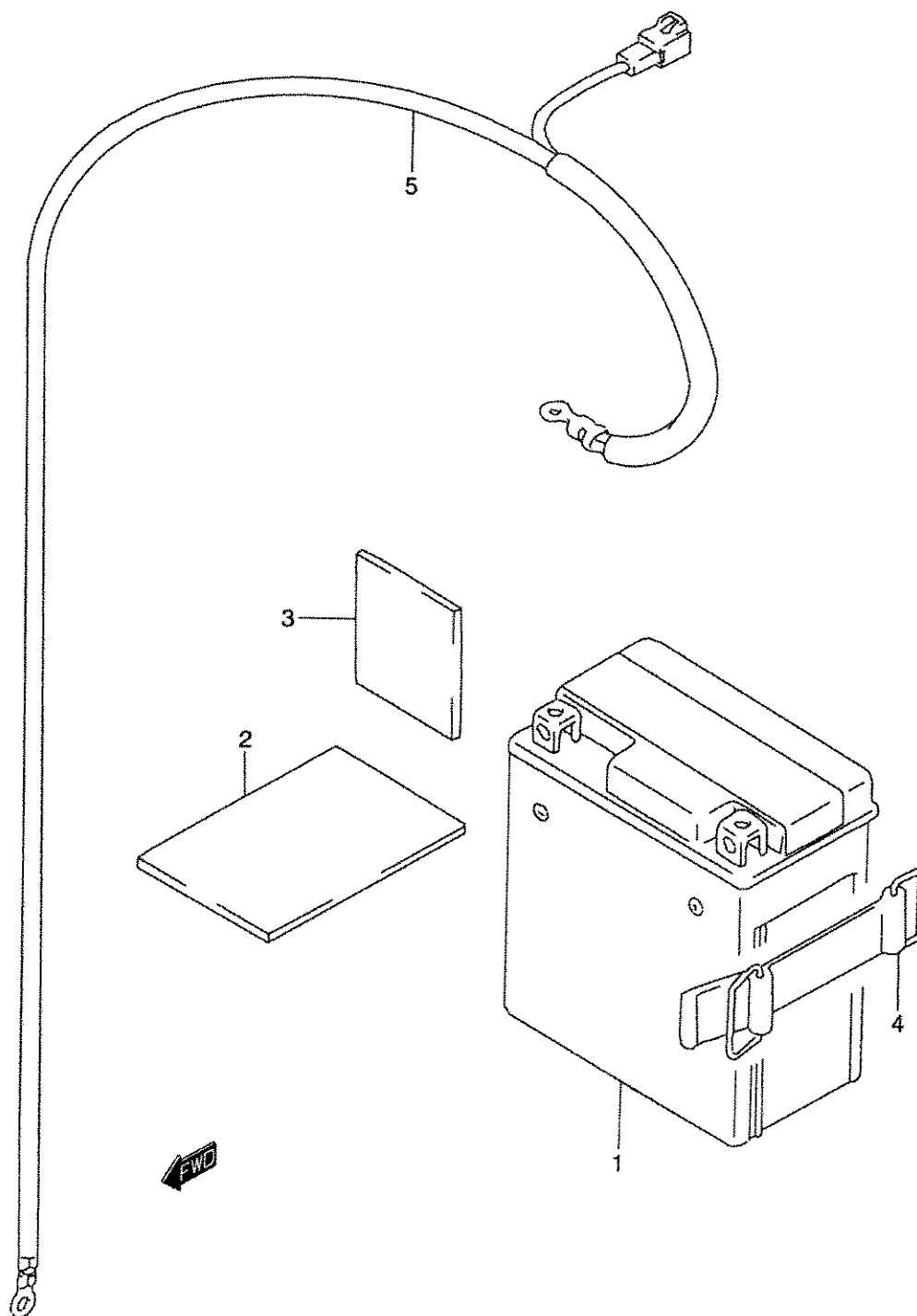
(close window)

**1996 SUZUKI
DR200SE 1996-2000
BATTERY**

October 27, 2005



FIG.18



REF#	PART	#REQ	REMARKS	YOUR PRICE
1-1	BATTERY (YTX7L-BS, 12V6AH) 33610-15D20	1		\$64.79
1-2	BATTERY (YTX7L-BS, 12V6AH) 33610-15D20	1	(MODEL TV,E28MODEL W/X/Y)	\$64.79
2	PROTECTOR (t) 33651-37000	1	(CUT AS REQUIRED PROFILE(40X85X3)CUT AS REQUIRED PROFILE(\$0X30X3))	\$2.29
4	BAND, TOOL 09462-00093	1		\$4.66
5	WIRE, BATTERY (-) 33860-44A00	1		\$10.90

[\(close window\)](#)

Bell's Suzuki
 667 New Circle Road
 Lexington, KY 40505
 (859) 299-3521
 www.bellssuzuki.com

1996 SUZUKI
DR200SE 1996-2000
 October 27, 2005
 (prices subject to change without notice)



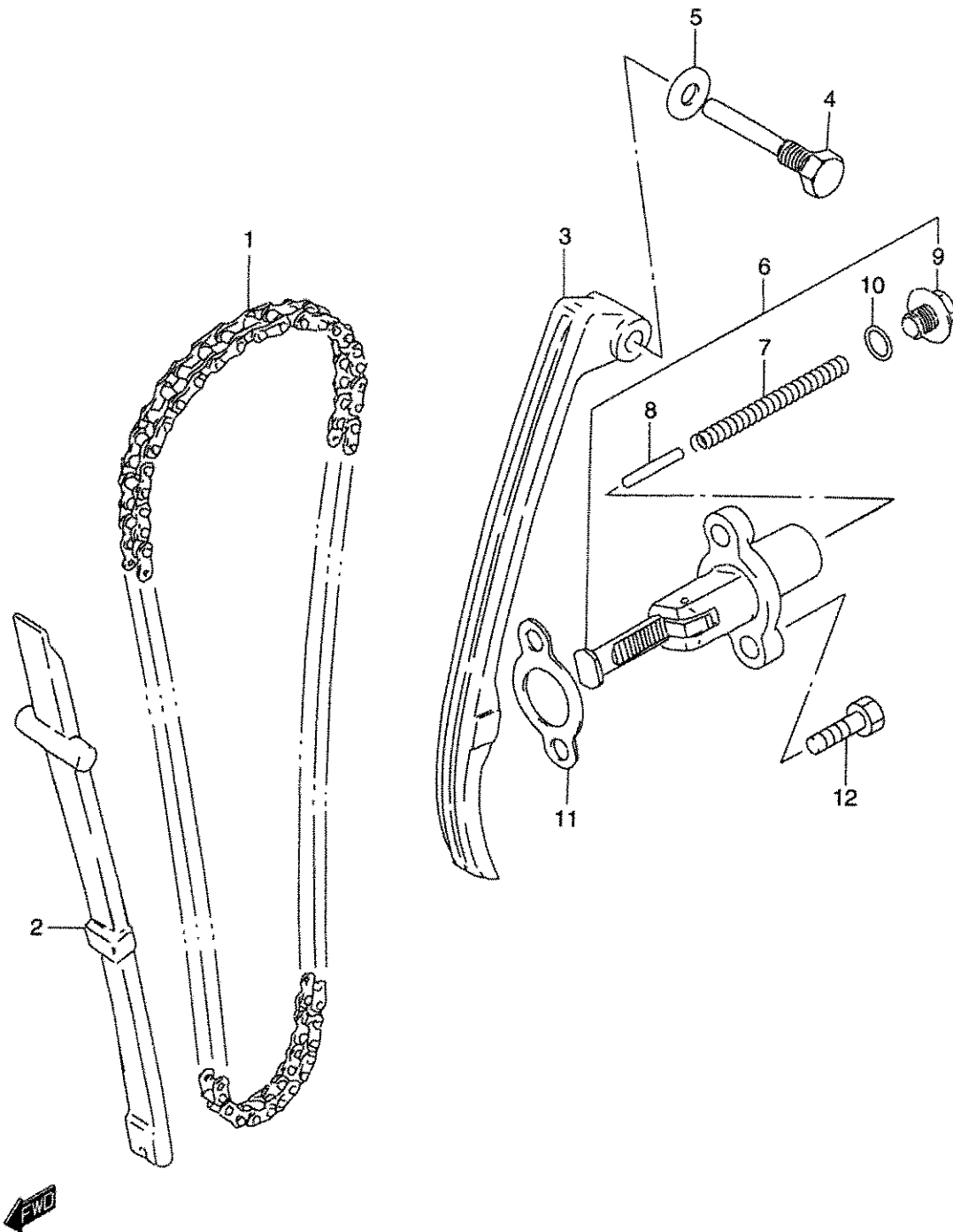
Bell's Suzuki
667 New Circle Road
Lexington, KY 40505
(859) 299-3521
www.bellssuzuki.com

(close window)

1996 SUZUKI
DR200SE 1996-2000
CAM CHAIN
October 27, 2005



FIG.8



REF#	PART	#REQ	REMARKS	YOUR PRICE
1	CHAIN, CAM SHAFT DRIVE 12760-42A00	1		\$46.27
2	GUIDE, CAM CHAIN 12771-18A00	1		\$18.85
3	TENSIONER, CAM CHAIN 12811-18A01	1		\$21.77
4	BOLT 12812-32410	1		\$2.22
5	GASKET 09168-08016	1		\$0.78
6	ADJUSTER ASSY, TENSIONER 12830-19B02	1		\$49.47
7	.SPRING 12833-19B00	1		\$1.37
8	.BAR 12835-19B00	1		\$1.37
9	.PLUG 12834-19B00	1		\$7.50
10	.O RING 12832-02A00	1		\$1.37
11	GASKET 12837-19B10	1		\$1.33
12	BOLT 01500-06203	2		\$0.63

[\(close window\)](#)

Bell's Suzuki
 667 New Circle Road
 Lexington, KY 40505
 (859) 299-3521
www.bellssuzuki.com

1996 SUZUKI
DR200SE 1996-2000
 October 27, 2005
 (prices subject to change without notice)



(close window)

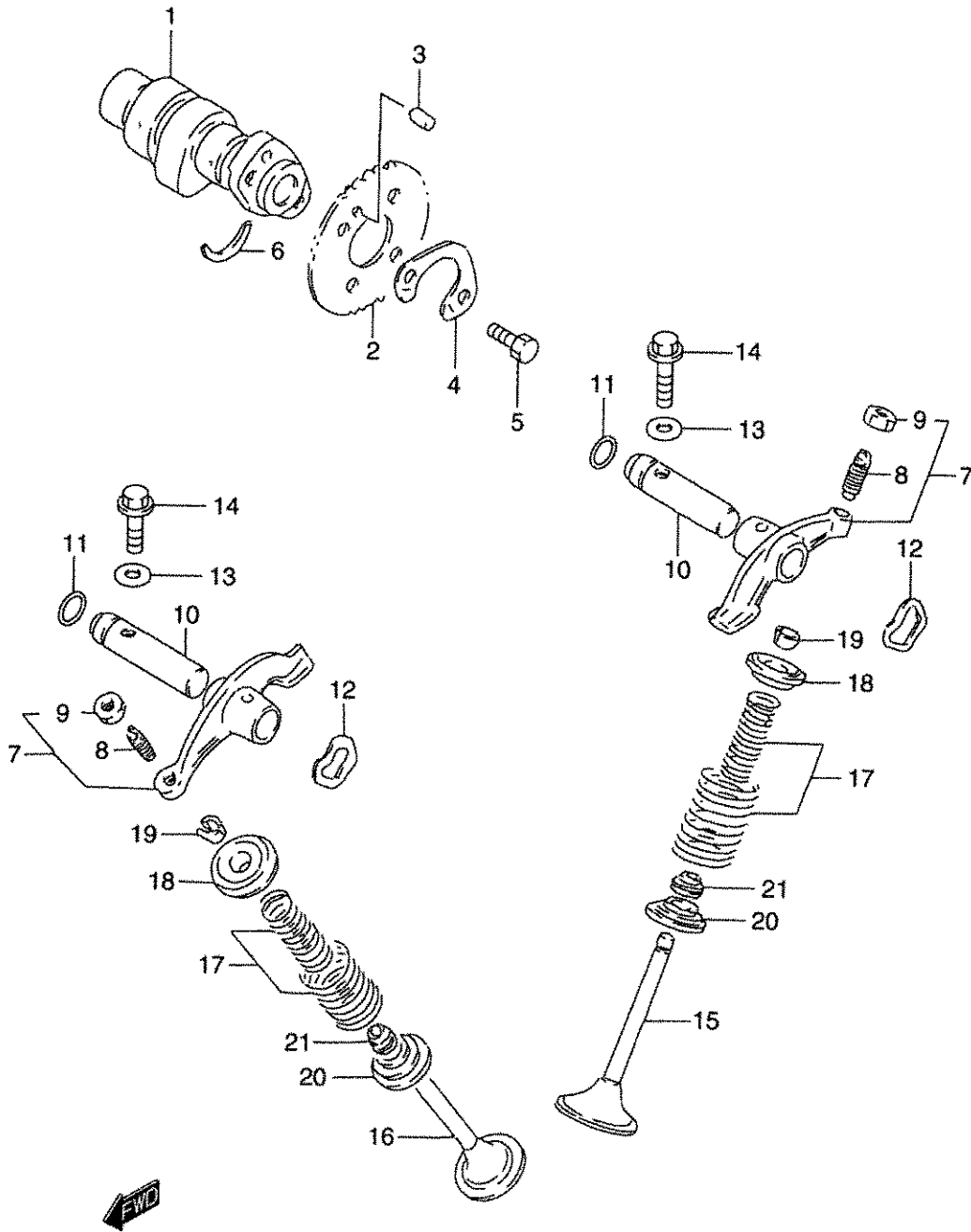
Bell's Suzuki
667 New Circle Road
Lexington, KY 40505
(859) 299-3521
www.bellssuzuki.com

**1996 SUZUKI
DR200SE 1996-2000
CAM SHAFT - VALVE**



October 27, 2005

FIG.7



REF#	PART	#REQ	REMARKS	YOUR PRICE
1	CAM SHAFT 12711-42A10	1		\$91.08
2	SPROCKET (NT:32) 12741-05201	1		\$10.05
3	PIN 09261-05005	1		\$0.67
4	WASHER 12747-05201	1		\$1.00
5	BOLT (6X10.5) 09111-06032	2		\$1.00
6	C RING 09390-22002	1		\$0.97
7	ARM, VALVE ROCKER 12850-25C00	2		\$22.58
8	.SCREW 12842-32411	2		\$2.62
9	.NUT 12843-32400	2		\$1.37
10	SHAFT, ROCKER ARM 12861-05201	2		\$8.50
11	.O RING 09280-09005	2		\$1.85
12	WASHER 09164-12021	2		\$1.00
13	GASKET 09168-06023	2		\$1.00
14-1	BOLT 01550-06253	2		\$0.97
14-2	BOLT, RECTIFIER 02162-06253	2		\$0.78
15	VALVE, INTAKE 12911-42A00	1		\$18.85
16	VALVE, EXHAUST 12912-42A00	1		\$33.74
17	SPRING SET, VALVE, INTAKE 12920-05210	2		\$6.99
18	RETAINER, SPRING 12931-49200	2		\$3.47
19	COTTER, VALVE 12932-24400	4		\$1.00
20	SEAT, SPRING 12933-49201	2		\$2.92
21	SEAL, VALVE STEM OIL 09289-05015	2		\$3.37

[\(close window\)](#)

Bell's Suzuki
 667 New Circle Road
 Lexington, KY 40505
 (859) 299-3521
 www.bellssuzuki.com

1996 SUZUKI
DR200SE 1996-2000
 October 27, 2005
 (prices subject to change without notice)



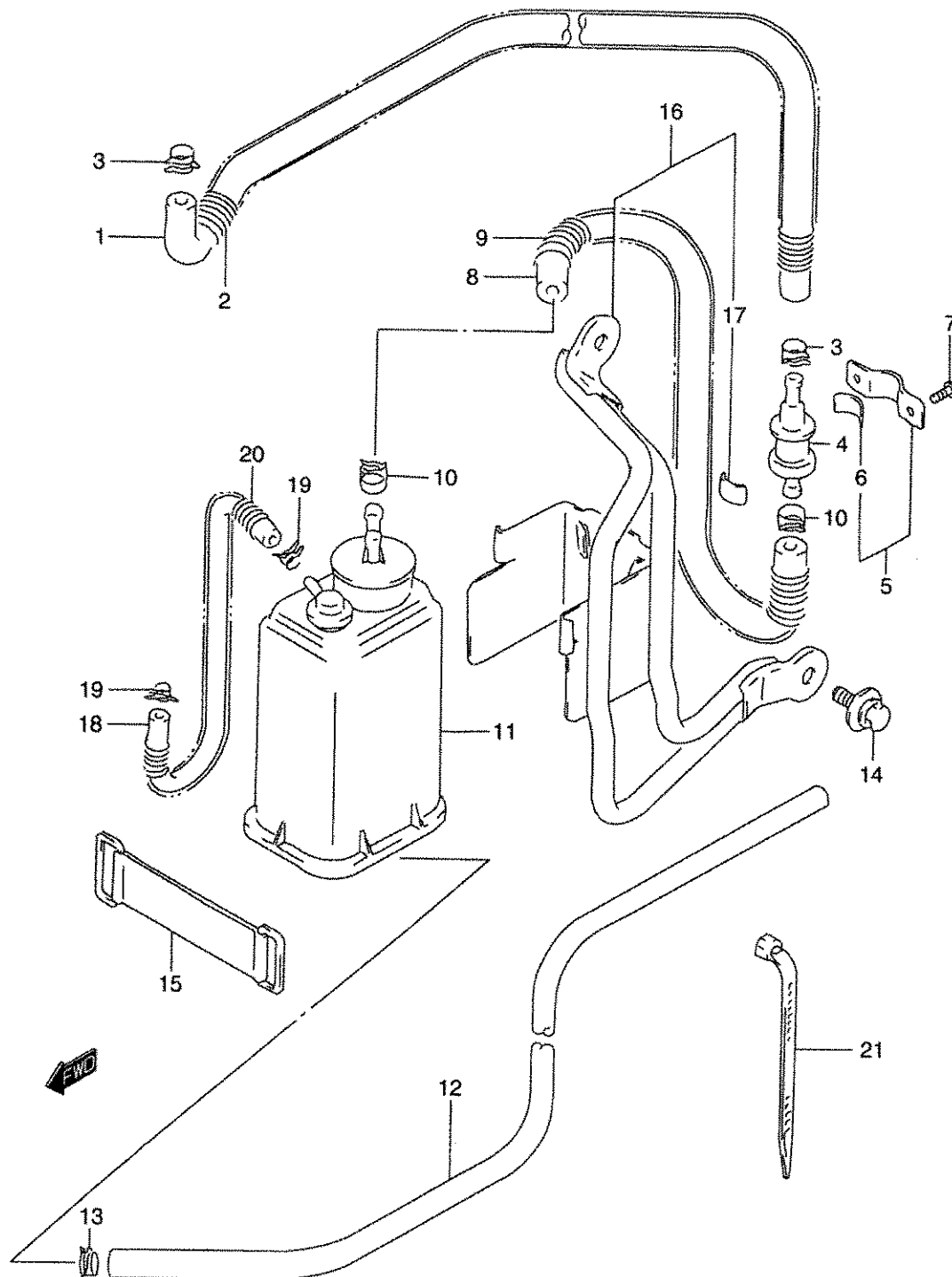
(close window)

Bell's Suzuki
667 New Circle Road
Lexington, KY 40505
(859) 299-3521
www.bellssuzuki.com

**1996 SUZUKI
DR200SE 1996-2000
CANISTER (E33)**
October 27, 2005



FIG.30



REF#	PART	#REQ	REMARKS	YOUR PRICE
1	HOSE, CANISTER & CARB 09343-05509	1		\$13.09
2	SPRING 09440-13053	1		\$5.17
3	CLIP 09401-11413	2		\$1.07
4	VALVE, FUEL TANK BREATHER 44240-38A00	1		\$25.21
5	PLATE, BREATHER VALVE 44892-24A00	1		\$1.85
6	.CUSHION 44894-24A00	1		\$0.74
7	.SCREW 02112-04083	2		\$0.52
8	HOSE, VALVE CHARGE 09343-05414	1		\$13.23
9	SPRING, NO.1 09440-13043	1		\$3.00
10	CLIP 09401-11413	2		\$1.07
11	CANISTER 17210-44A00	1		\$89.15
12	HOSE (L:2000->680) 09352-70113-00B	1		\$16.67
13	CLIP 09401-10409	1		\$1.07
14	BOLT 09116-06130	2		\$1.00
15	BAND 09462-00034	1		\$2.04
16	PLATE 44880-44AB0	1		\$62.62
17	.CUSHION 44894-24A00	1		\$0.74
18-1	HOSE, VACUUM CHAMBER TO 3 WAY 09355-35755-600	1		\$3.70
18-2	HOSE, VACUUM CHAMBER TO 3 WAY 09355-35755-600	1		\$3.70
19	CLIP, CANISTER 09401-06405	2		\$0.98
20	SPRING 09440-10031	1		\$3.00
21	CLAMP (L:125) 09407-14403	2		\$1.01

(close window)

Bell's Suzuki
 667 New Circle Road
 Lexington, KY 40505
 (859) 299-3521
 www.bellssuzuki.com

1996 SUZUKI
DR200SE 1996-2000
 October 27, 2005
 (prices subject to change without notice)



(close window)

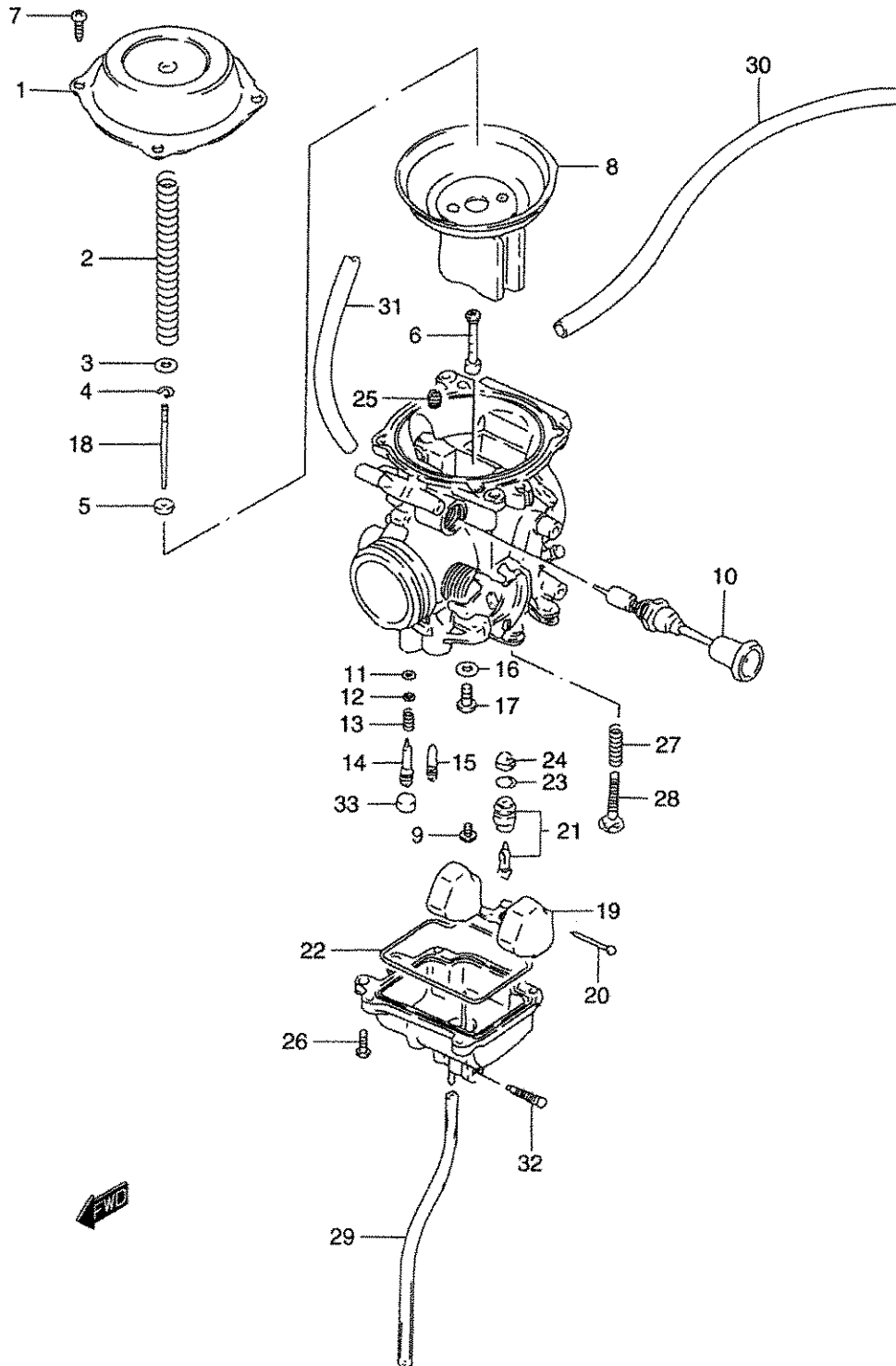
Bell's Suzuki
667 New Circle Road
Lexington, KY 40505
(859) 299-3521
www.bellssuzuki.com

**1996 SUZUKI
DR200SE 1996-2000
CARBURETOR**



October 27, 2005

FIG.9



REF#	PART	#REQ	REMARKS	YOUR PRICE
	CARBURETOR ASSY 13200-42AC0	1		\$270.54
	CARBURETOR ASSY 13200-42AF0	1		\$280.88
	CARBURETOR ASSY 13200-42AC0	1		\$270.54
	CARBURETOR ASSY 13200-42AE0	1		\$270.54
1	.COVER 13502-42A00	1		\$16.37
2	.SPRING 13417-42A00	1		\$3.55
3	.RING 13382-42A00	1		\$2.29
4	.E RING 13394-10010	1		\$2.29
5	.RING 13387-47010	1		\$3.81
6-1	.JET, NEEDLE (P-5M) 09494-00881	1		\$22.17
6-2	.JET, NEEDLE (P-5) 09494-00514	1		\$10.57
7	.SCREW 02112-04083	4		\$0.52
8	.DIAPHRAGH ASSY 13500-42A00	1		\$98.06
9	.SCREW 13602-43410	1		\$1.37
10	.PLUNGER ASSY 13411-42A20	1		\$17.37
11	.O RING 13295-29900	1		\$2.22
12	.WASHER 13291-29900	1		\$0.82
13	.SPRING 13268-47070	1		\$2.22
14-1	.SCREW, AIR (2 1/8) 13279-47070	1	(MODEL T E28)	\$6.99
15-1	.JET, PILOT (35) 09492-35008	1		\$4.95
15-2	.JET, PILOT (40) 09492-40014	1		\$4.95
16-1	.WASHER 13382-03110	1		\$1.37
16-2	.WASHER 13382-03110	1		\$1.37
17-1	.JET, MAIN (125) 09491-25010	1		\$4.95
17-2	.JET, MAIN (122.5) 09491-24013	1		\$4.95
18-1	.NEEDLE, JET (5D77-1) 13383-42AC0	1		\$7.95
18-2	.NEEDLE, JET (5D26-3) 13383-42A00	1		\$7.95
19	.FLOAT 13250-42A00	1		\$17.85
20	.PIN, FLOAT 13254-92311	1		\$0.97
21	.VALVE ASSY, NEEDLE 13370-44500	1		\$27.05
22	.O RING 13251-42A00	1		\$4.73
23	.O RING 13374-35C00	1		\$3.18
24	.FILTER 13376-19F00	1		\$5.44
25	.JET, PILOT AIR (135) 09493-27001	1		\$6.99
26	.SCREW, LEVER 02112-04123	4		\$0.37
27	.SPRING 13268-37420	1		\$2.22
28-1	.ADJUSTER 13267-25D00	1		\$5.88
28-2	.ADJUSTER 13267-25D00	1		\$5.88
29	.HOSE, OVER FLOW (3X5X650) 13684-40A00	1		\$4.84
30	.HOSE (L:600fE130) 09352-50823-800	1		\$4.25
31-1	.HOSE, VACUUM 09355-45855-600	1		\$6.47
31-2	.HOSE, VACUUM 09355-45855-600	1		\$6.47
32	.SCREW, DRAIN 13247-02340	1		\$2.59
33	.PLUG 13281-05A00	1	(E3,E33MODEL V/W/X/Y E28)	\$2.37

[\(close window\)](#)

Bell's Suzuki
667 New Circle Road
Lexington, KY 40505
(859) 299-3521
www.bellssuzuki.com

1996 SUZUKI
DR200SE 1996-2000
October 27, 2005
(prices subject to change without notice)



(close window)

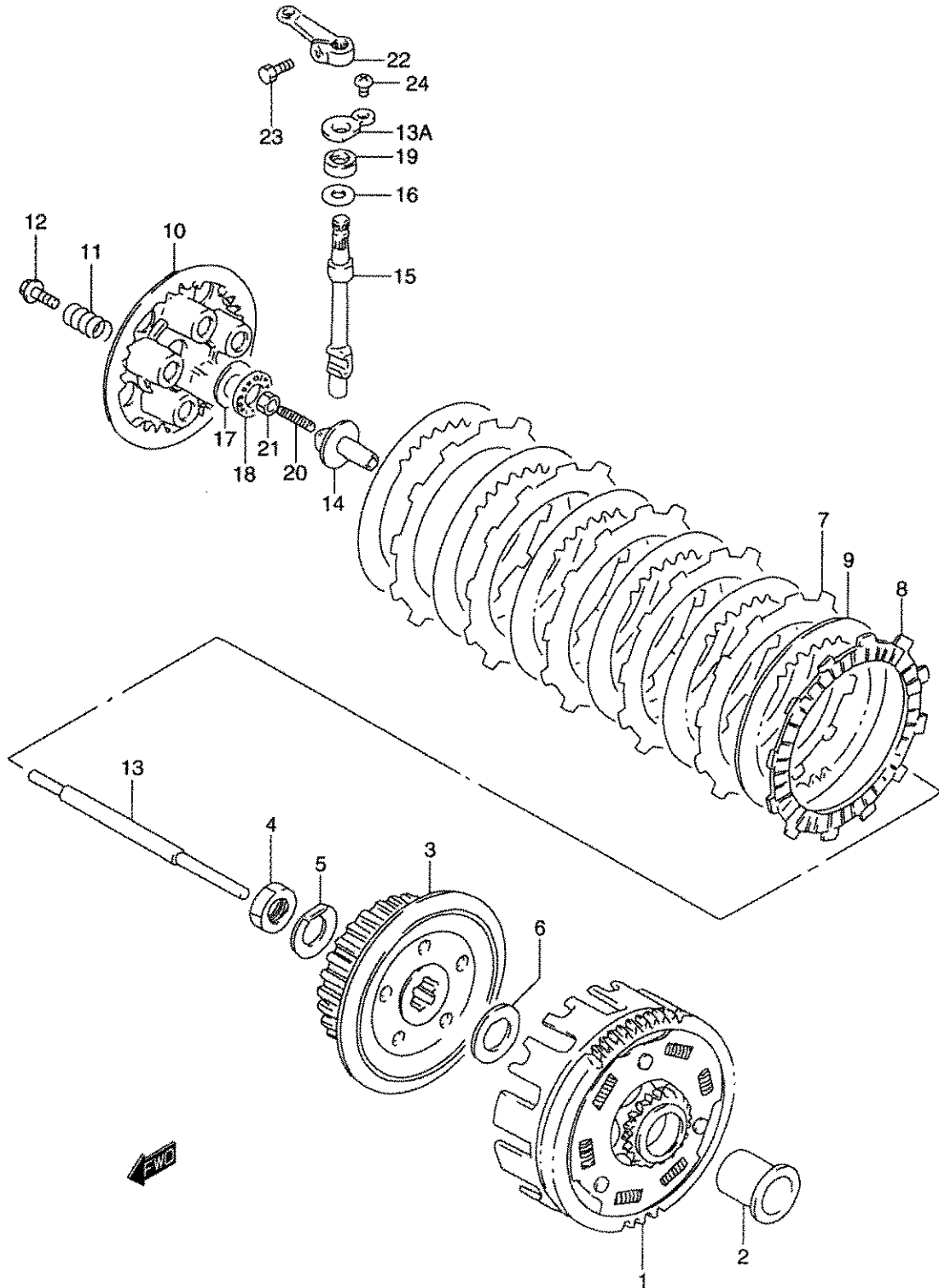
Bell's Suzuki
667 New Circle Road
Lexington, KY 40505
(859) 299-3521
www.bellsuzuki.com

**1996 SUZUKI
DR200SE 1996-2000
CLUTCH**



October 27, 2005

FIG.13



REF#	PART	#REQ	REMARKS	YOUR PRICE
1	GEAR ASSY, PRIMARY DRIVEN 21200-42A50	1		\$165.89
2	SPACER, PRIMARY DRIVEN GEAR 21251-13E00	1		\$8.32
3	HUB, CLUTCH SLEEVE 21411-42A02	1		\$34.71
4-1	NUT 09140-16005	1		\$1.52
4-2	NUT 09140-16005	1		\$1.52
5	WASHER 09169-16003	1		\$1.00
6	WASHER 08211-20355	1		\$1.85
7	PLATE, CLUTCH DRIVE 21441-25C01	5		\$11.22
8	PLATE, DRIVE (T:3) 21441-13A01	1		\$7.99
9	PLATE, DRIVEN (T:1.4) 21451-01B40	6		\$4.48
10	DISK, PRESSURE 21462-14102	1		\$11.22
11	SPRING 09440-15021	5		\$1.89
12-1	BOLT (5X16) 09116-05020	5		\$1.00
12-2	BOLT (5X16) 09116-05020	5		\$1.00
13	ROD, PUSH 23110-05202	1		\$7.50
13A	RETAINER, CL RLSE OIL SEAL 23117-05200	1		\$2.15
14	PIECE 23121-38201	1		\$11.12
15	CAM SHAFT 23122-05200	1		\$20.55
16-1	WASHER, CL RLSE 09181-10195	1		\$0.97
16-2	WASHER, CL RLSE 09181-10195	1		\$0.97
17	WASHER, CLUTCH PUSH 09160-15045	1		\$1.92
18	BEARING (15X25X2) 09263-15003	1		\$4.23
19	SEAL, CL RLSE CAMSHAFT OIL 09282-10012	1		\$3.99
20	SCREW (6X25) 09134-06010	1		\$1.48
21	NUT 09140-06023	1		\$0.95
22	ARM, RELEASE 23271-46010	1		\$12.53
23	BOLT, REAR 01500-06163	1		\$0.86
24	SCREW 02142-06103	1		\$0.63

[\(close window\)](#)

Bell's Suzuki
 667 New Circle Road
 Lexington, KY 40505
 (859) 299-3521
 www.bellssuzuki.com

1996 SUZUKI
DR200SE 1996-2000
 October 27, 2005
 (prices subject to change without notice)



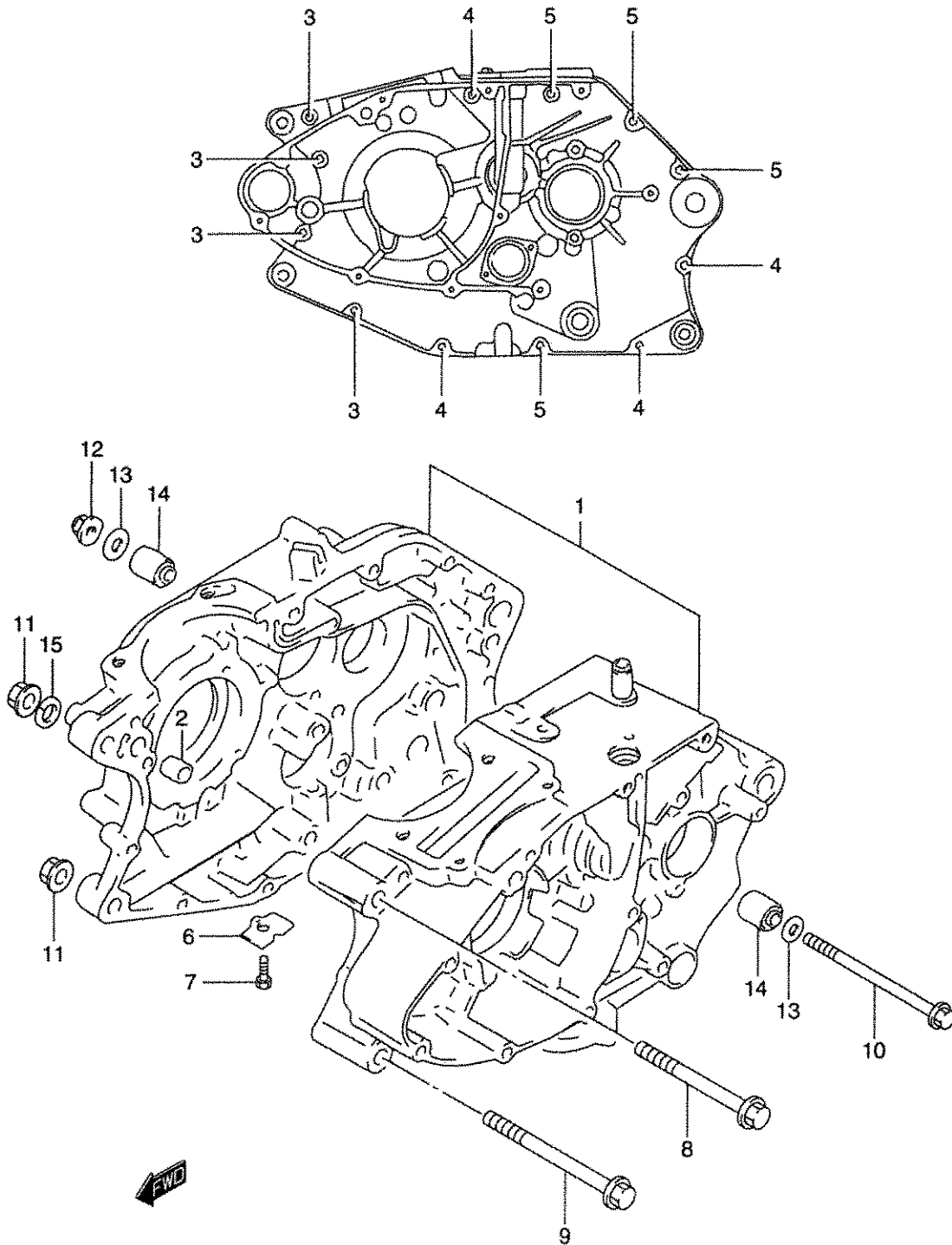
(close window)

Bell's Suzuki
667 New Circle Road
Lexington, KY 40505
(859) 299-3521
www.bellssuzuki.com

**1996 SUZUKI
DR200SE 1996-2000
CRANKCASE**
October 27, 2005



FIG.3



REF#	PART	#REQ	REMARKS	YOUR PRICE
1-1	CRANKCASE ASSY 11300-42A23	1		\$451.18
1-2	CRANKCASE ASSY 11300-42A23	1		\$451.18
2	PIN 04211-13189	2		\$1.04
3	BOLT 01547-06553	4		\$1.11
4	BOLT 01547-06603	4		\$1.33
5	BOLT 01547-06753	4		\$1.33
6	PLATE 11319-05200	1		\$1.37
7	BOLT, DRAIN PLUG 01500-06103	1		\$0.86
8	BOLT (10X80) 09103-10240	1		\$2.92
9	BOLT (10X90) 09103-10061	1		\$2.70
10	BOLT (8*115) 09103-08138	1		\$3.47
11-1	NUT 08319-31103	2		\$1.33
11-2	NUT 08319-31103	2		\$1.33
12	NUT 08319-31083	1		\$1.11
13	WASHER 08212-08182	2		\$0.67
14	BUSH 09319-08032	2		\$6.99
15	LOCK WASHER 08321-01103	1		\$0.89

[\(close window\)](#)

Bell's Suzuki
667 New Circle Road
Lexington, KY 40505
(859) 299-3521
www.bellssuzuki.com

1996 SUZUKI
DR200SE 1996-2000
October 27, 2005
(prices subject to change without notice)



(close window)

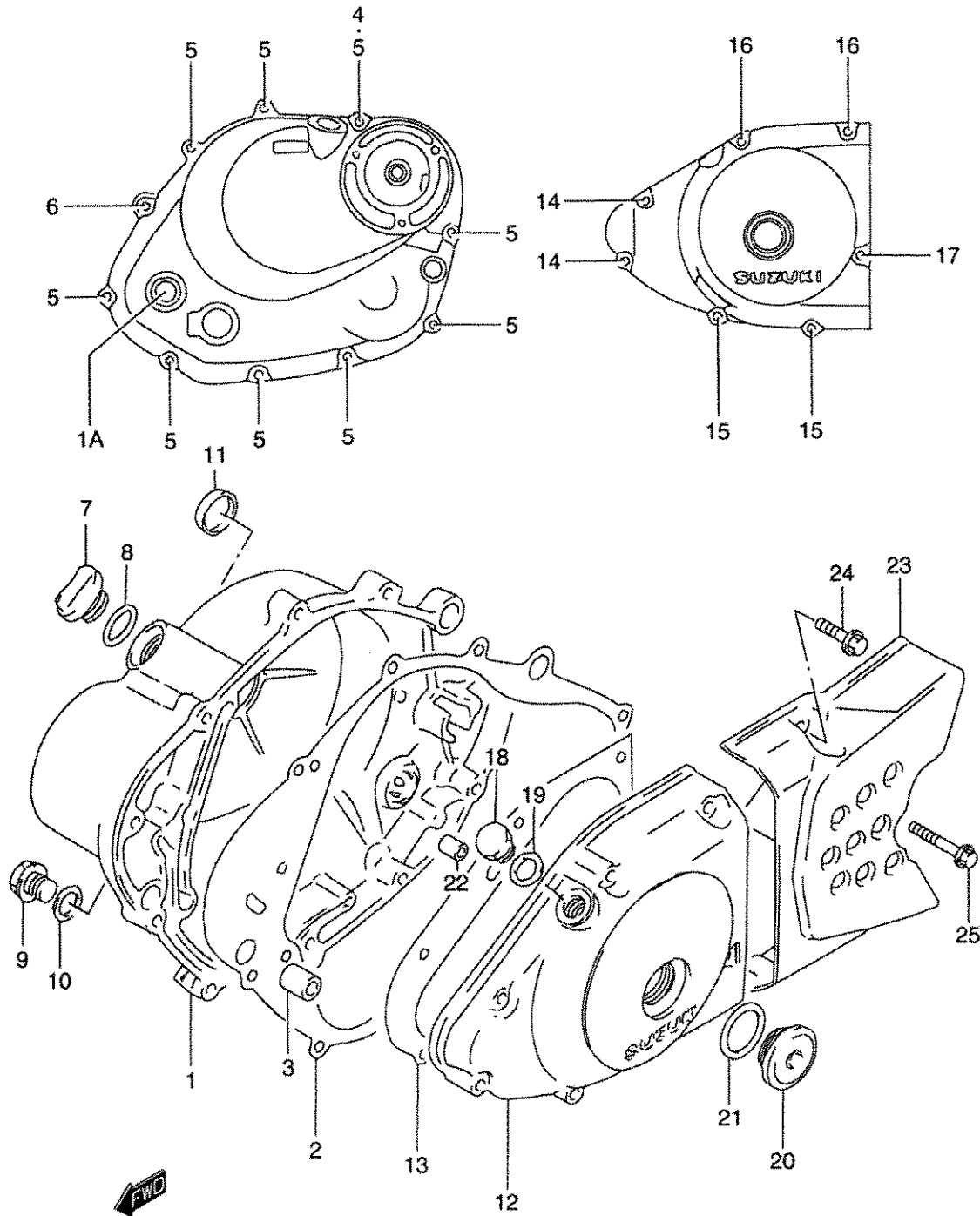
Bell's Suzuki
667 New Circle Road
Lexington, KY 40505
(859) 299-3521
www.bellssuzuki.com

**1996 SUZUKI
DR200SE 1996-2000
CRANKCASE COVER**



October 27, 2005

FIG.4



REF#	PART	#REQ	REMARKS	YOUR PRICE
1	COVER, CLUTCH 11340-42A20	1		\$101.55
1A	.LENS, OIL LEVEL 11971-45010	1		\$8.50
2	GASKET, CLUTCH COVER 11482-05211	1		\$6.87
3	PIN 04211-13189	2		\$1.04
4-1	.GASKET 09168-06024	1		\$1.00
4-2	GASKET 09168-06023	1		\$1.00
5	BOLT 01547-06303	9		\$1.11
6	BOLT 01547-06453	1		\$1.11
7	PLUG (20X10) 09259-20019	1		\$5.62
8	O RING, OIL FILLER PLUG 09280-17003	1		\$0.74
9	PLUG 09247-14026	1		\$1.89
10	GASKET 09168-14004	1		\$0.74
11	PLUG, CLUTCH COVER KICK 11342-12C51	1		\$4.37
12	COVER, MAGNETO 11351-42A20	1		\$67.83
13-1	GASKET, MAGNETO COVER 11483-05312	1		\$5.62
13-2	GASKET, MAGNETO COVER 11483-05312	1		\$5.62
14	BOLT 01547-06303	2		\$1.11
15	BOLT (GREEN) 01547-06353	2		\$1.11
16	BOLT 01547-06403	2		\$1.11
17	.BOLT 01547-06503	1		\$1.11
18	PLUG, T.D.C 09247-12104	1		\$1.33
19	.GASKET, HOLE PLUG 09168-12002	1		\$0.74
20	PLUG 09259-26011	1		\$5.44
21	O RING (D:3.1, ID:22.7) 09280-22008	1		\$0.97
22	PIN 04211-09129	1		\$0.74
23	COVER, ENGINE SPROCKET 11360-42A20	1		\$37.50
24	BOLT (GREEN) 01547-06253	2		\$1.00
25	BOLT (GREEN) 01547-06353	1		\$1.11

[\(close window\)](#)

Bell's Suzuki
667 New Circle Road
Lexington, KY 40505
(859) 299-3521
www.bellssuzuki.com

1996 SUZUKI
DR200SE 1996-2000
October 27, 2005
(prices subject to change without notice)



print

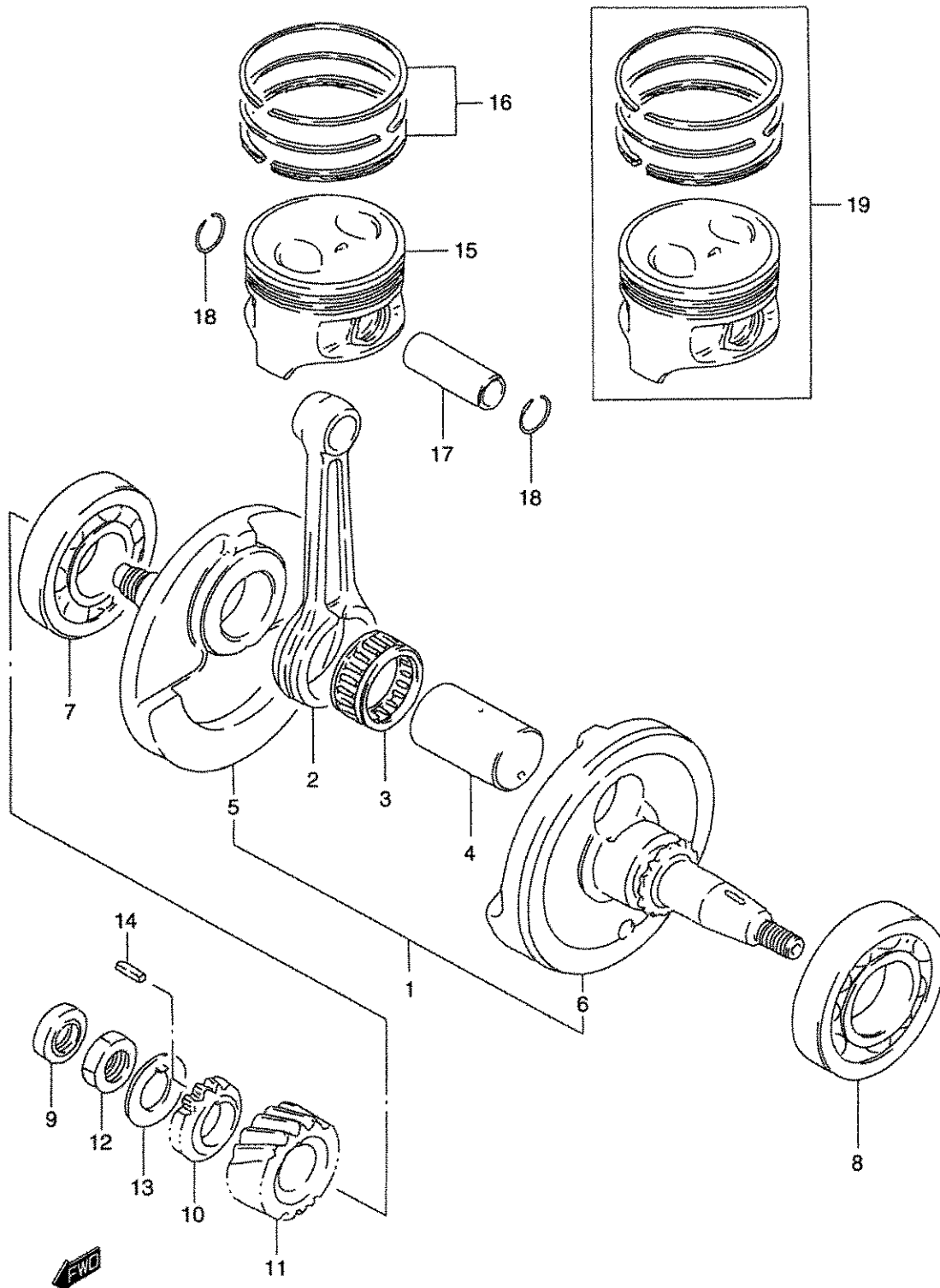
(close window)

Bell's Suzuki
667 New Circle Road
Lexington, KY 40505
(859) 299-3521
www.bellssuzuki.com

**1996 SUZUKI
DR200SE 1996-2000
CRANKSHAFT**
October 27, 2005



FIG.5



REF#	PART	#REQ	REMARKS	YOUR PRICE
1	CRANKSHAFT ASSY 12200-42A11	1		\$267.15
2	.ROD, CONNECTING 12161-42A01	1		\$57.44
3	.BEARING 09263-31008-0B0	1		\$20.24
4	.PIN, CRANK 12210-42A00	1		\$19.48
6	.CRANKSHAFT, LH 12261-42A10	1		\$107.75
7	.BEARING, RR 09262-28014	1		\$29.60
8	BEARING, LH (35X72X17) 09262-35038	1		\$23.73
9	OIL SEAL, RH (12X21X7) 09282-12009	1		\$6.40
10	GEAR, OIL PUMP DRIVE 16321-42A00	1		\$27.05
11-1	GEAR, PRIMARY DRIVE (NT:19) 21111-42A01	1		\$22.16
11-2	GEAR, PRIMARY DRIVE (NT:19) 21111-42A01	1		\$22.16
12	ND 09140-18004	1		\$1.48
13	LOCK WASHER 09166-18003	1		\$0.92
14	KEY 09421-04007	1		\$2.29
15	PISTON 12111-42A03	1		\$34.76
16	RING SET, PISTON (STD) 12140-19B10	1		\$22.26
17	PIN, PISTON 12151-22A02	1		\$6.40
18	CIRCLIP 09381-16001	2		\$0.67
19-1	PISTON SET OS:0 12100-42A30-050	1		\$62.20
20-1	RING SET, PISTON (OS:0.5) 12140-19B10-050	1		\$22.26
20-1	RING SET (OS:1.0) 12140-19B10-100	1		\$22.26

[\(close window\)](#)

Bell's Suzuki
667 New Circle Road
Lexington, KY 40505
(859) 299-3521
www.bellssuzuki.com

1996 SUZUKI
DR200SE 1996-2000
October 27, 2005
(prices subject to change without notice)



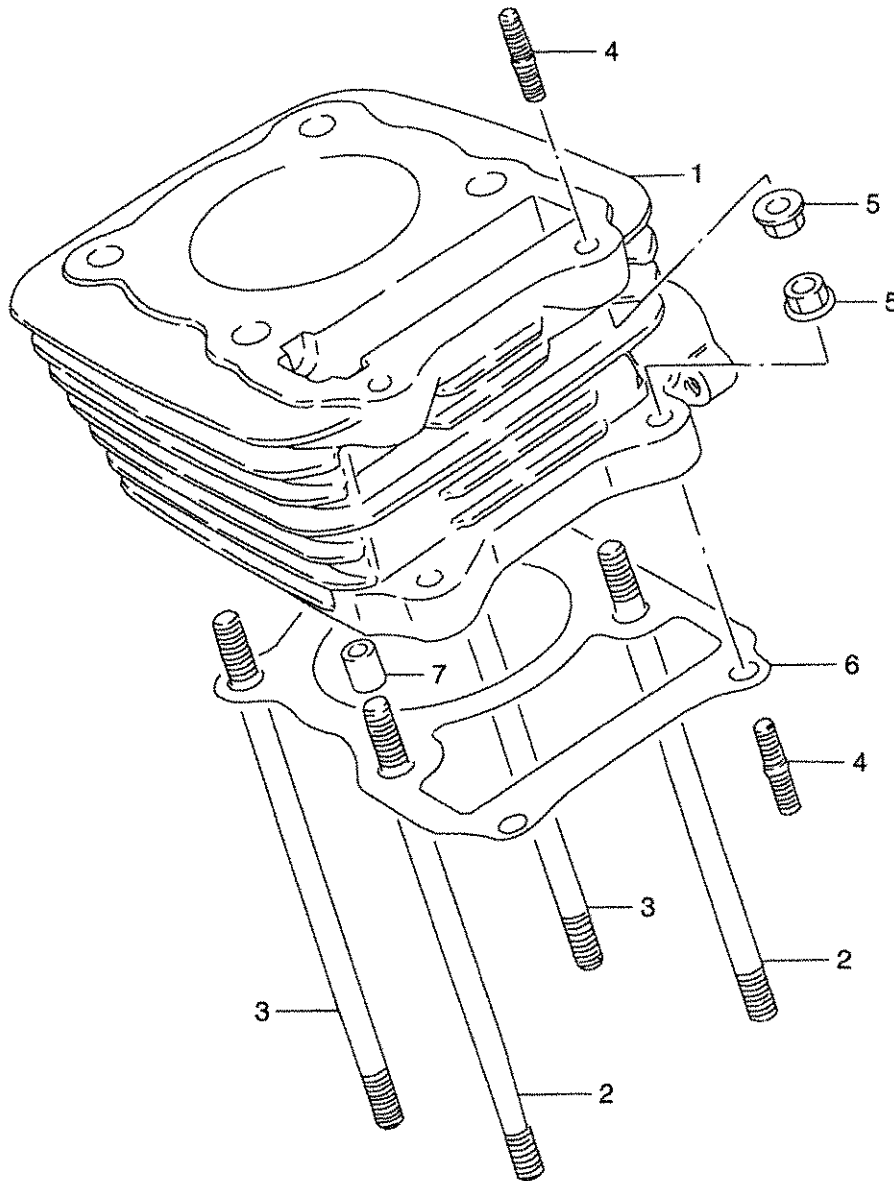
(close window)

Bell's Suzuki
667 New Circle Road
Lexington, KY 40505
(859) 299-3521
www.bellsuzuki.com

**1996 SUZUKI
DR200SE 1996-2000
CYLINDER**
October 27, 2005



FIG.2



REF#	PART	#REQ	REMARKS	YOUR PRICE
1-1	CYLINDER 11211-13G50-0F0	1		\$232.63
1-2	CYLINDER 11211-13G50-0F0	1		\$232.63
2	STUD BOLT (8X160) 09108-08195	2		\$2.70
3	STUD BOLT (8X167) 09108-08184	2		\$2.85
4	STUD BOLT 01421-06253	4		\$0.92
5	NUT 08316-10063	4		\$1.06
6	GASKET, CYLINDER 11241-42A10	1		\$2.74
7	PIN (L:14) 04211-11149	2		\$0.82

[\(close window\)](#)

Bell's Suzuki
667 New Circle Road
Lexington, KY 40505
(859) 299-3521
www.bellssuzuki.com

1996 SUZUKI
DR200SE 1996-2000
October 27, 2005
(prices subject to change without notice)



(close window)

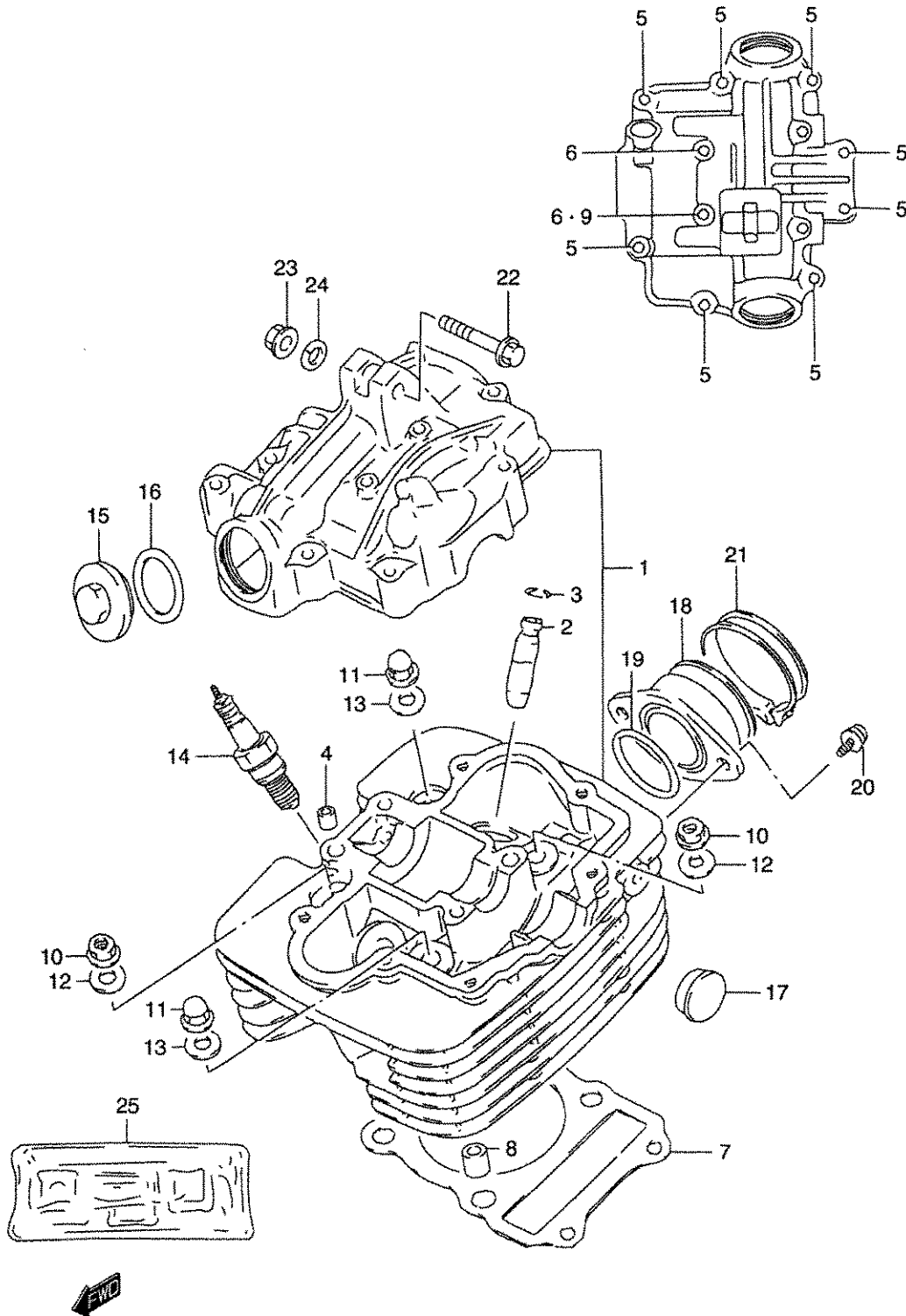
Bell's Suzuki
667 New Circle Road
Lexington, KY 40505
(859) 299-3521
www.bellssuzuki.com

**1996 SUZUKI
DR200SE 1996-2000
CYLINDER HEAD**



October 27, 2005

FIG.1



REF#	PART	#REQ	REMARKS	YOUR PRICE
1	HEAD ASSY, CYLINDER 11100-42A20	1		\$377.66
2	.GUIDE, EX VALVE 11115-05270	2		\$9.57
3	.RING, VALVE GUIDE 09381-10004	2		\$0.59
4	PIN 09206-08001	2		\$0.82
5	.BOLT 01550-06353	8		\$1.11
6	BOLT 01550-06603	2		\$1.44
7	GASKET, CYLINDER HEAD 11141-18A00	1		\$7.50
8	PIN 04211-11169	2		\$0.82
9	GASKET 09168-06023	1		\$1.00
10	NUT 08316-10083	2		\$1.07
11-1	NUT 09159-08074	2		\$2.70
11-2	NUT 09159-08049	2		\$2.33
12-1	WASHER (8.5X19X2.3) 09160-08053	2		\$1.00
12-2	WASHER (8.5X19X2.3) 09160-08053	2		\$1.00
13	WASHER 09168-08021	2		\$1.22
14-1	SPARK PLUG (DENSO,X24ESR-U) 09482-00223	1		\$3.60
14-2	SPARK PLUG (NGK,DR8EA) 09482-00399	1		\$2.32
15-1	CAP, INSPECTION 11175-37111	2		\$6.40
15-2	CAP, INSPECTION 11175-37111	2		\$6.40
16	O RING 09280-30001	2		\$0.74
17	PLUG, HEAD 09241-22002	1		\$2.62
18-1	PIPE, INTAKE 13110-42A12	1		\$14.71
18-2	PIPE, INTAKE 13110-42A12	1		\$14.71
19	O RING 09280-35001	1		\$0.82
20	SCREW 02112-36163	2		\$0.97
21	CLAMP 09402-48208	1		\$2.29
22	BOLT, UPPER 09103-08332	1		\$1.89
23	NUT 08319-31083	1		\$1.11
24	LOCK WASHER 08321-01083	1		\$0.89
25-1	GASKET SET 11400-42825	1		\$48.27
25-2	GASKET SET 11400-42825	1		\$48.27

(close window)

Bell's Suzuki
667 New Circle Road
Lexington, KY 40505
(859) 299-3521
www.bellssuzuki.com

1996 SUZUKI
DR200SE 1996-2000
October 27, 2005
(prices subject to change without notice)



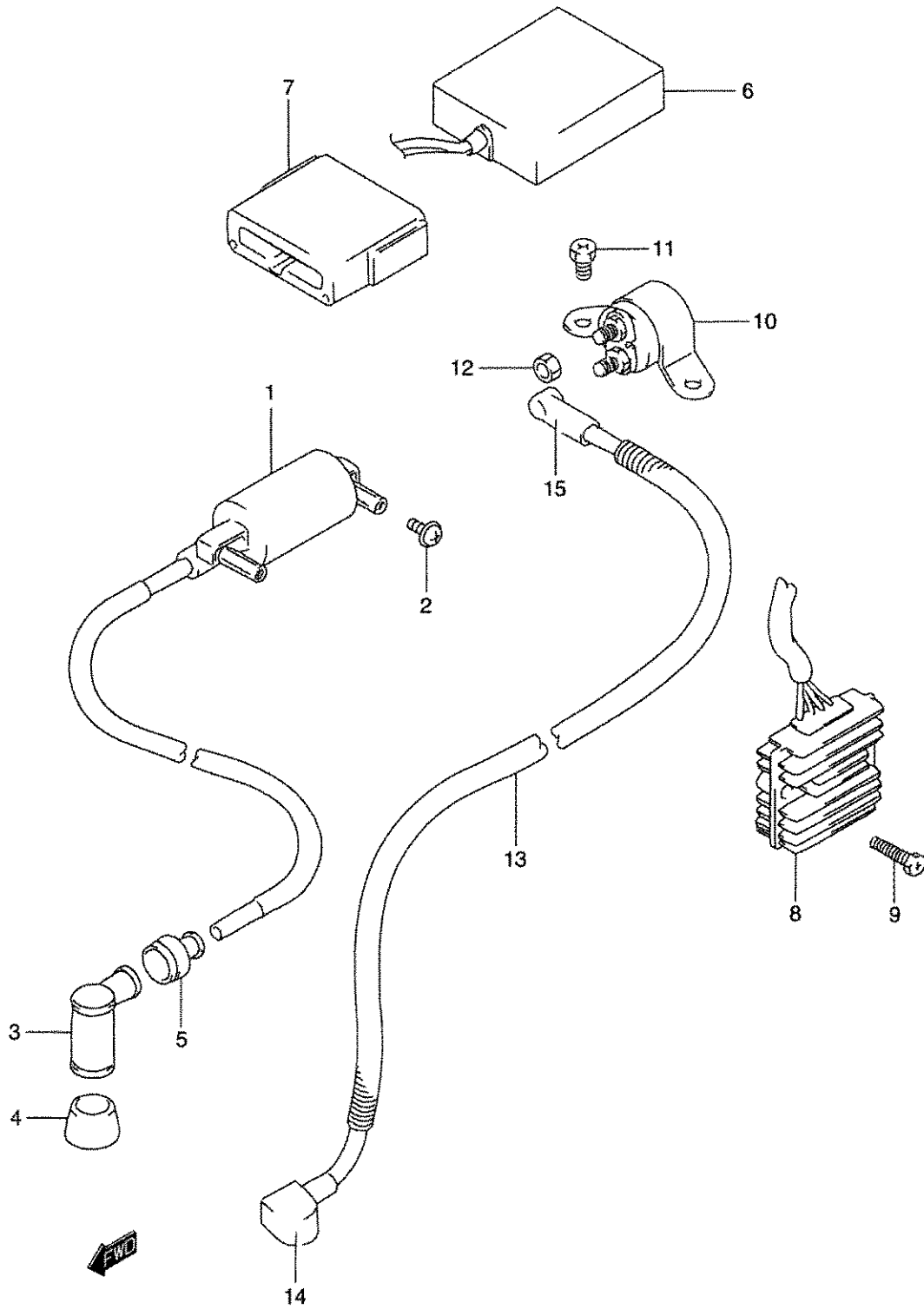
(close window)

Bell's Suzuki
667 New Circle Road
Lexington, KY 40505
(859) 299-3521
www.bellsuzuki.com

**1996 SUZUKI
DR200SE 1996-2000
ELECTRICAL**
October 27, 2005



FIG.19



REF#	PART	#REQ	REMARKS	YOUR PRICE
1	COIL, IGNITION 33410-05350	1		\$55.81
2	SCREW 02142-05103	2		\$0.63
3	CAP ASSY, SPARK PLUG 33510-97313	1		\$7.95
4	SEAL, SPARK PLUG 33541-47D00	1		\$4.07
5	SEAL, HIGH TENSION LORD 33542-38B00	1		\$2.22
6	CDI UNIT 32900-42A30	1		\$325.86
7	CUSHION, CDI UNIT 32980-44A00	1		\$7.28
8	RECTIFIER 32800-08D10	1		\$100.78
9	SCREW (6X24) 09128-06024	2		\$0.74
10	RELAY ASSY, STARTING MOTOR 31800-15501	1		\$50.26
11-1	SCREW, OIL LEVEL 09128-06044	2		\$0.63
11-2	SCREW, OIL LEVEL 09128-06044	2		\$0.63
12	NUT 08361-35068	2		\$0.78
13	WIRE, STARTER MOTOR LEAD 33810-44A00	1		\$27.46
14	.CAP, STARTING MOTOR 31861-06C00	1		\$1.85
15	.CAP, STARTER RELAY 31861-10D00	1		\$3.66

[\(close window\)](#)

Bell's Suzuki
 667 New Circle Road
 Lexington, KY 40505
 (859) 299-3521
 www.bellssuzuki.com

1996 SUZUKI
DR200SE 1996-2000
 October 27, 2005
 (prices subject to change without notice)



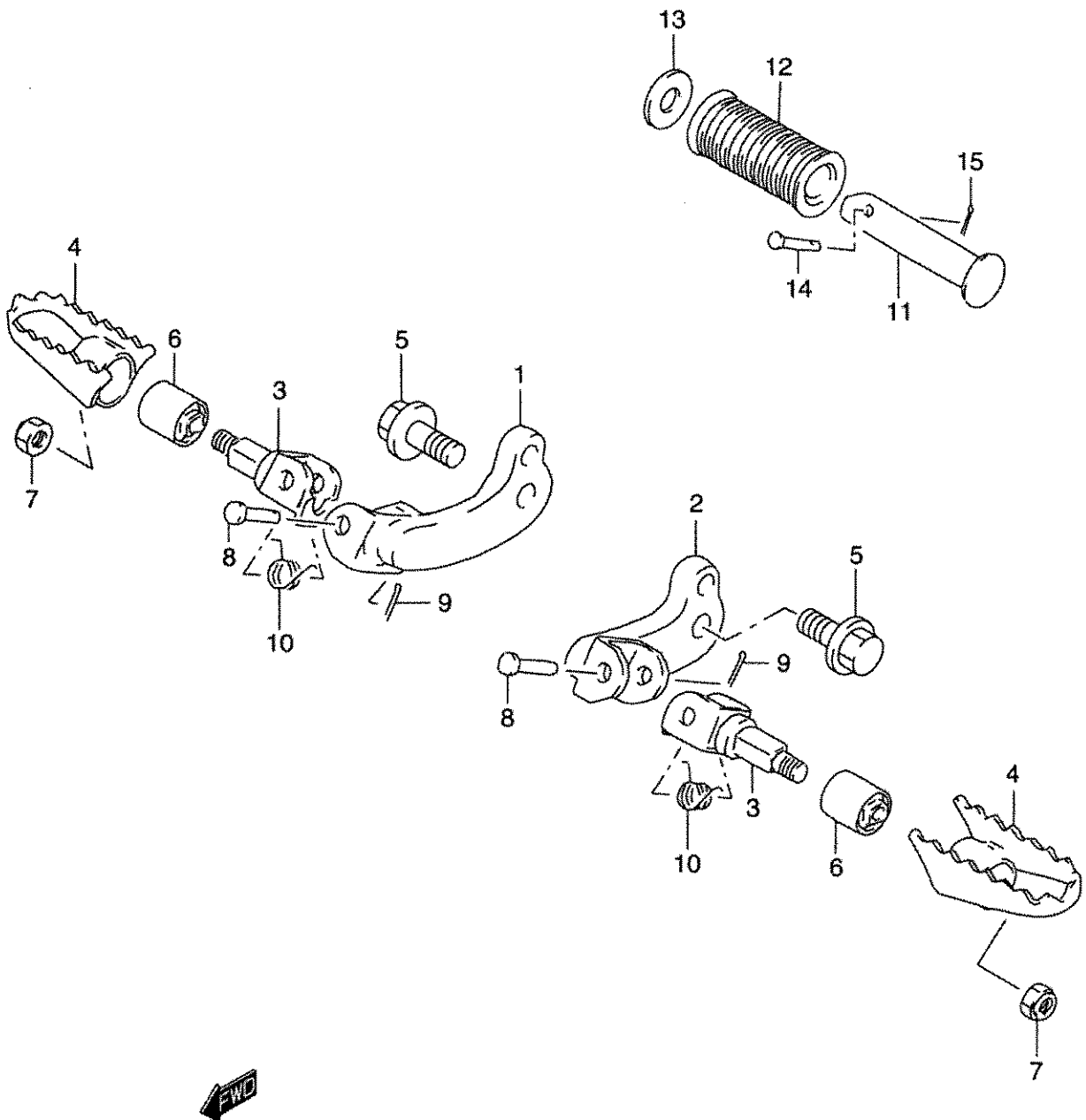
(close window)

Bell's Suzuki
667 New Circle Road
Lexington, KY 40505
(859) 299-3521
www.bellssuzuki.com

1996 SUZUKI
DR200SE 1996-2000
FOOTREST
October 27, 2005



FIG.28



REF#	PART	#REQ	REMARKS	YOUR PRICE
1	BAR, FOOTREST RH (BLACK) 43510-44A03-019	1		\$20.55
2	BAR, FOOTREST LH (BLACK) 43520-44A03-019	1		\$20.55
3	BRACKET, FRONT FOOTREST 43530-44A02	2		\$21.14
4	FOOTREST, FRONT (BLACK) 43550-44A01-019	2		\$15.71
5	BOLT (12X25) 09103-12047	2		\$2.37
6	BUSH 09319-10053	2		\$15.42
7	.NUT 08319-31103	2		\$1.33
8	.PIN 09200-08002	2		\$0.92
9	COTTER PIN 04111-20158	2		\$0.59
10	SPRING 09448-14037	2		\$1.44
11	.BAP, PILLION FOOTREST 43610-03001	2		\$3.22
12	.RUBBER 43612-33200	2		\$3.22
13-1	WASHER 09160-19024	2		\$1.19
13-2	WASHER 09160-19024	2		\$1.19
14	.PIN 09200-06033	2		\$1.04
15	COTTER PIN 04111-20158	2		\$0.59

[\(close window\)](#)

Bell's Suzuki
 667 New Circle Road
 Lexington, KY 40505
 (859) 299-3521
 www.bellssuzuki.com

1996 SUZUKI
DR200SE 1996-2000
 October 27, 2005
 (prices subject to change without notice)



(close window)

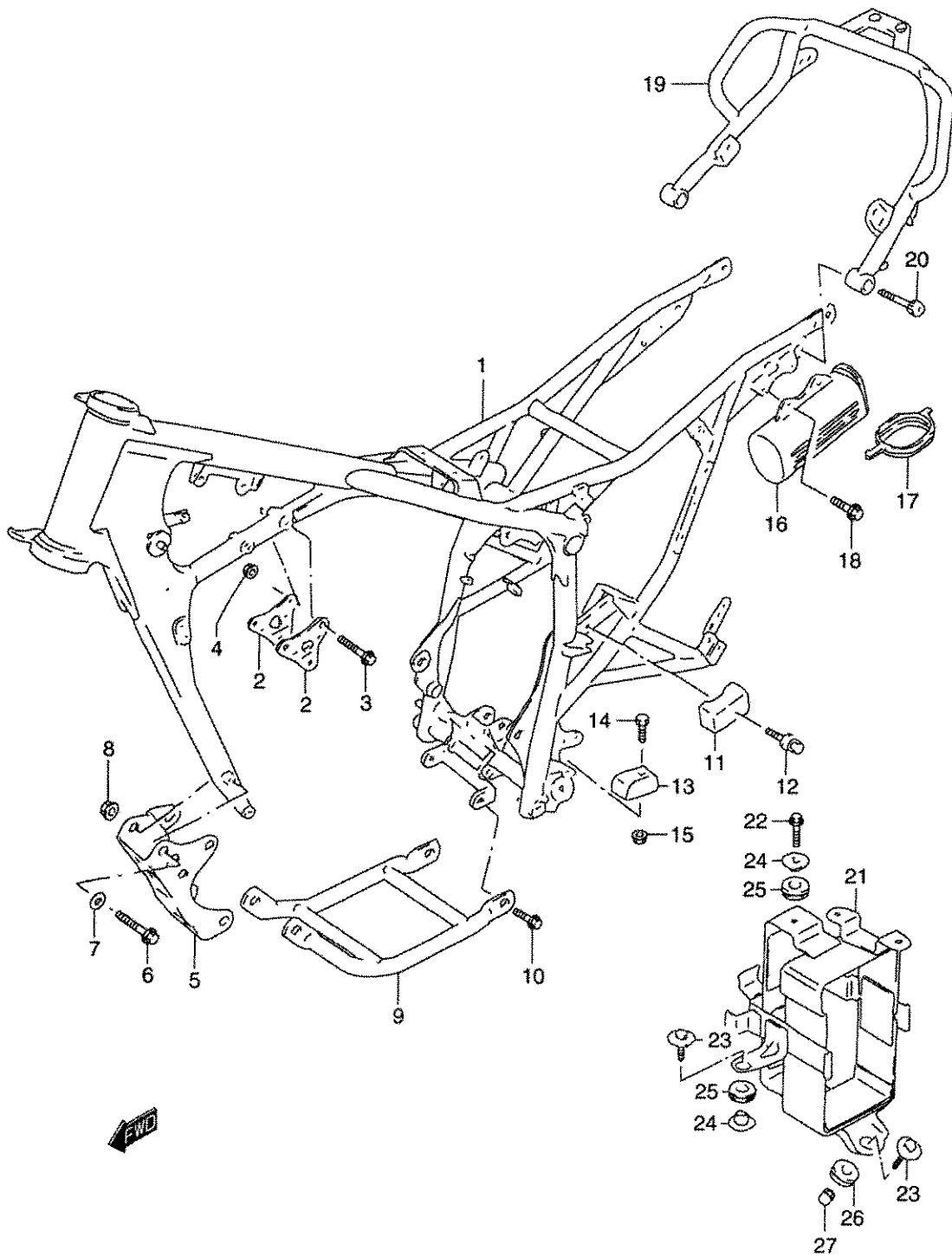
Bell's Suzuki
667 New Circle Road
Lexington, KY 40505
(859) 299-3521
www.bellssuzuki.com

**1996 SUZUKI
DR200SE 1996-2000
FRAME (MODEL T/V/W)**



October 27, 2005

FIG.26



REF#	PART	#REQ	REMARKS	YOUR PRICE
1-1	FRAME (PURPLE) 41100-44AB0-Z16	1		\$905.71
1-2	FRAME (PURPLE) 41100-44AD0-Z16	1		\$905.71
2	PLATE, UPPER (BLACK) 41991-42A00-291	2		\$6.40
3	BOLT, UPPER 09103-08332	2		\$1.89
4	NUT 08319-31083	2		\$1.11
5-1	PLATE, MOUNT LOWER (PURPLE) 41992-44AA0-Z16	1		\$26.06
5-2	PLATE, MOUNT LOWER (PURPLE) 41992-44AA0-Z16	1		\$26.06
6	BOLT (8X65) 09103-08328	2		\$2.11
7	LOCK WASHER 08321-01083	2		\$0.89
8	NUT 08319-31083	2		\$1.11
9	PROTECTOR, ENGINE (PURPLE) 42510-44AA0-Z16	1		\$85.27
10	BOLT 01550-10163	2		\$1.44
11	GUIDE, CHAIN UPPER 43911-44A00	1		\$9.57
12	BOLT 01580-06353	1		\$1.33
13	GUIDE, CHAIN LOWER 43912-42AA0	1		\$12.20
14	BOLT 01500-06203	1		\$0.63
15	NUT 08319-31063	1		\$1.00
16	HOLDER, TOOL 41551-38200	1		\$17.37
17	.CAP 41552-37210	1		\$5.10
18	BOLT 09116-06165	2		\$1.22
19	GRIP, REAR (WHITE) 43980-44AB2-1TS	1		\$167.82
20	BOLT, SPACER 09106-08105	2		\$1.48
21	HOLDER, BATTERY 41540-44AA0	1		\$57.84
22	BOLT 01550-06203	1		\$0.97
23	BOLT 09116-06047	2		\$1.07
24-1	SPACER 09169-06065	2		\$1.77
24-2	SPACER 09169-06065	2		\$1.77
25	CUSHION 09320-08021	2		\$1.52
26-1	CUSHION 09320-10501	1		\$2.67
26-2	CUSHION 09320-10501	1		\$2.67
27-1	SPACER, LOWER (6.5X10X9.0) 09180-06285	1		\$1.22
27-2	SPACER, LOWER (6.5X10X9.0) 09180-06285	1		\$1.22

(close window)

Bell's Suzuki
 667 New Circle Road
 Lexington, KY 40505
 (859) 299-3521
 www.bellssuzuki.com

1996 SUZUKI
DR200SE 1996-2000
 October 27, 2005
 (prices subject to change without notice)



print

(close window)

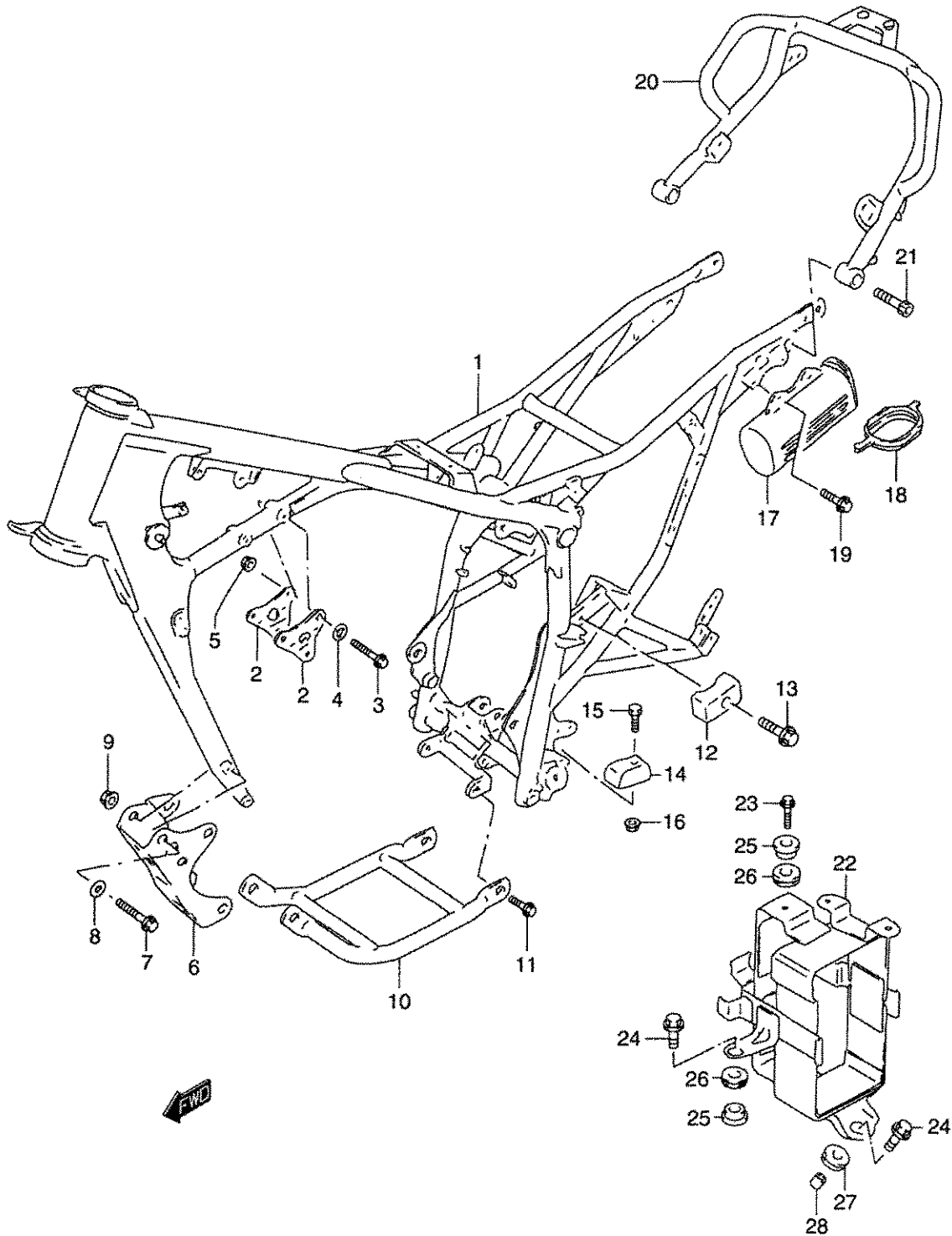
Bell's Suzuki
667 New Circle Road
Lexington, KY 40505
(859) 299-3521
www.bellssuzuki.com

**1996 SUZUKI
DR200SE 1996-2000
FRAME (MODEL X/Y)**

October 27, 2005



FIG.26A



REF#	PART	#REQ	REMARKS	YOUR PRICE
1-1	FRAME (CHARCOAL) 41100-44AB0-24K	1		\$895.68
1-2	FRAME (CHARCOAL) 41100-44AD0-24K	1		\$895.68
2	PLATE, UPPER (BLACK) 41991-42A00-291	2		\$6.40
3	BOLT, UPPER 09103-08332	2		\$1.89
4	LOCK WASHER 08321-01083	2		\$0.89
5	NUT 08319-31083	2		\$1.11
6	PLATE, MOUNT LOWER (CHARCOAL) 41992-44AA1-24K	1		\$28.27
7	BOLT (8X65) 09103-08328	2		\$2.11
8	LOCK WASHER 08321-01083	2		\$0.89
9	NUT 08319-31083	2		\$1.11
10	PROTECTOR, ENGINE (CHARCOAL) 42510-44AA0-24K	1		\$84.50
11-1	BOLT 01550-10163	2		\$1.44
11-2	BOLT 01551-10163	2		\$1.44
12	GUIDE, CHAIN UPPER 43911-44A00	1		\$9.57
13	BOLT 01580-08353	1		\$1.33
14	GUIDE, CHAIN LOWER 43912-42AA0	1		\$12.20
15-1	BOLT 01500-06203	1		\$0.63
15-2	BOLT 09128-06057	1		\$0.74
16	NUT 08319-31063	1		\$1.00
17	HOLDER, TOOL 41551-38200	1		\$17.37
18	.CAP 41552-37210	1		\$5.10
19-1	BOLT 09116-06165	2		\$1.22
19-2	BOLT 09116-06165	2		\$1.22
20	GRIP, REAR (WHITE) 43980-44AB2-1TS	1		\$167.82
21	BOLT, SPACER 09106-08105	2		\$1.48
22	HOLDER, BATTERY 41540-44AA0	1		\$57.84
23	BOLT 01550-06203	1		\$0.97
24-1	BOLT 09116-06047	2		\$1.07
24-2	BOLT 09116-06131	2		\$0.97
25	SPACER 09169-06065	2		\$1.77
26	CUSHION 09320-08021	2		\$1.52
27	CUSHION 09320-10501	1		\$2.67
28	SPACER, LOWER (6.5X10X9.0) 09180-06285	1		\$1.22

(close window)

Bell's Suzuki
667 New Circle Road
Lexington, KY 40505
(859) 299-3521
www.bellssuzuki.com

1996 SUZUKI
DR200SE 1996-2000
October 27, 2005
(prices subject to change without notice)



print

(close window)

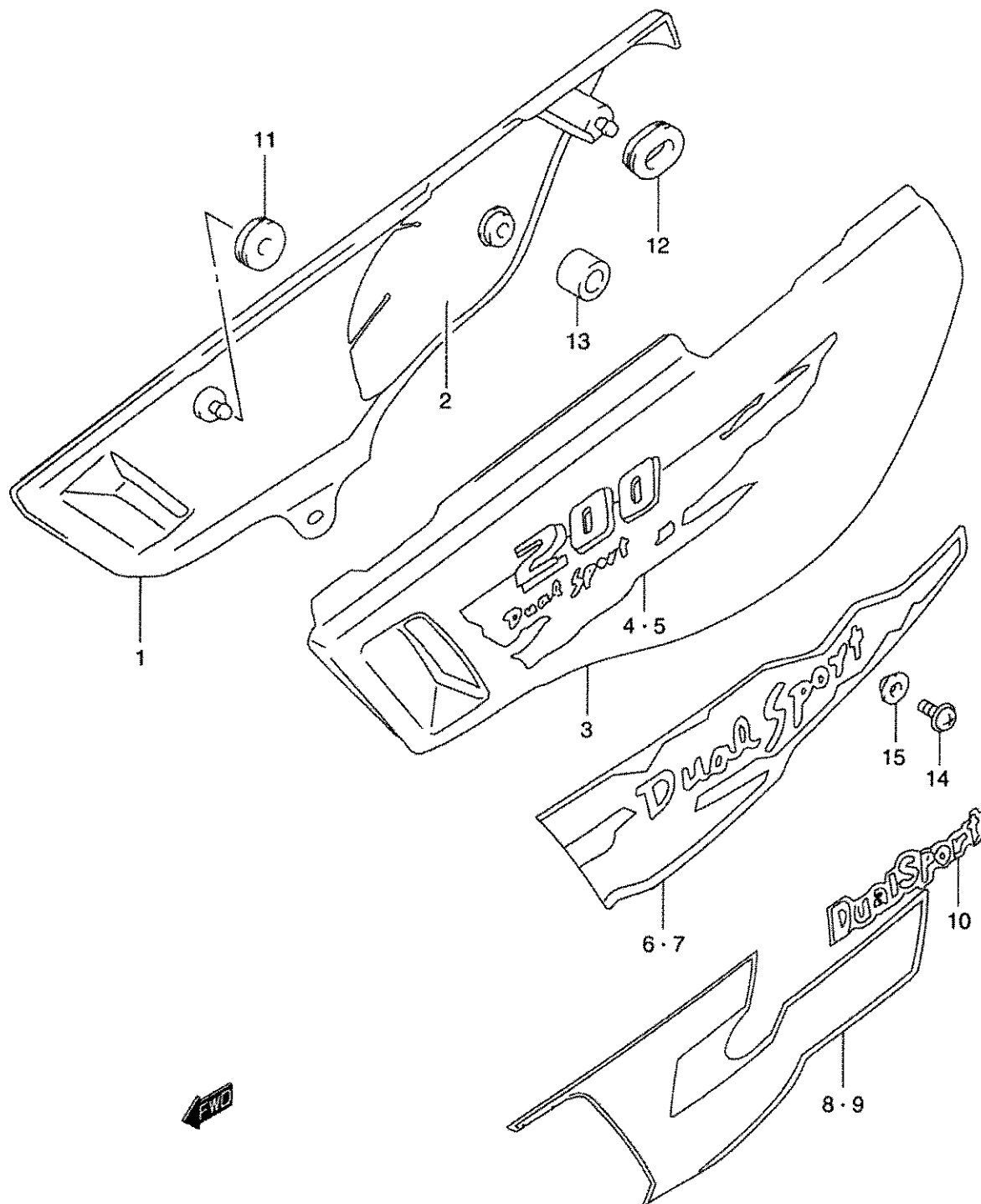
Bell's Suzuki
667 New Circle Road
Lexington, KY 40505
(859) 299-3521
www.bellssuzuki.com

**1996 SUZUKI
DR200SE 1996-2000
FRAME COVER (MODEL TV/W)**



October 27, 2005

FIG.32



REF#	PART	#REQ	REMARKS	YOUR PRICE
1	COVER, FRAME RH (WHITE) 47111-44AA0-30H	1		\$41.09
2	SHIELD, FRAME COVER RH 47166-44AA0	1		\$13.16
3	COVER, FRAME LH (WHITE) 47211-44AA0-30H	1		\$41.09
4	TAPE, RH 68135-44A60-Z65	1		\$23.99
5	TAPE, LH 68145-44A60-Z65	1		\$23.99
6	TAPE, RH 68135-44A80-G3M	1		\$16.97
7	TAPE, LH 68145-44A80-G3M	1		\$16.97
8	TAPE, RH 68135-44AC0-J6Z	1		\$19.92
9	TAPE, LH 68145-44AC0-J6Z	1		\$19.92
10	EMBLEM 68131-44A70-J7B	2		\$12.12
11	CUSHION, INNER 09320-08018	2		\$1.44
12	CUSHION, REAR 09320-08029	2		\$1.11
13	CUSHION, MUFFLER REAR 09321-10027	1		\$2.77
14	SCREW 09136-06017	2		\$1.07
15	WASHER 09169-06028	2		\$0.92

[\(close window\)](#)

Bell's Suzuki
 667 New Circle Road
 Lexington, KY 40505
 (859) 299-3521
www.bellssuzuki.com

1996 SUZUKI
DR200SE 1996-2000
 October 27, 2005
 (prices subject to change without notice)



(close window)

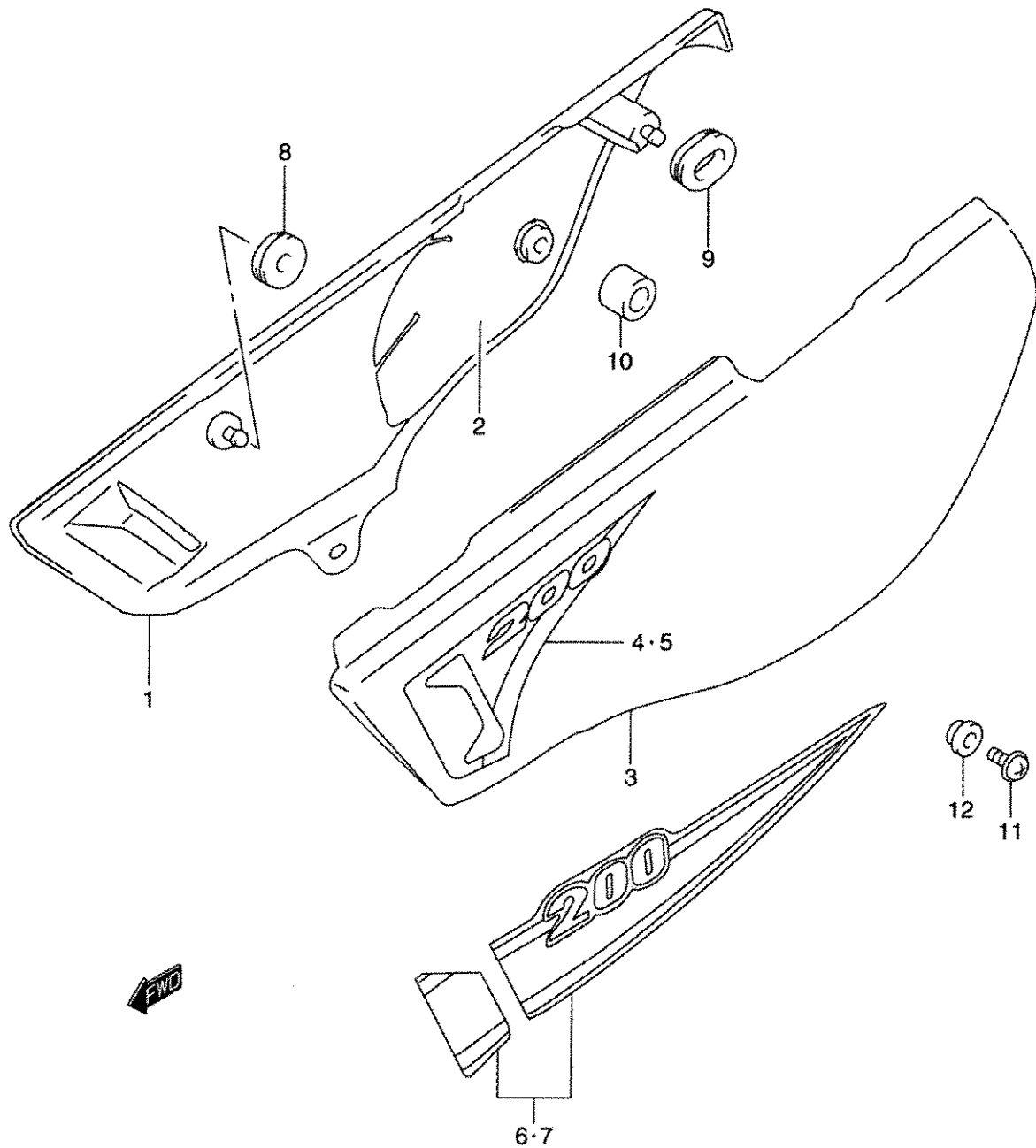
Bell's Suzuki
667 New Circle Road
Lexington, KY 40505
(859) 299-3521
www.bellssuzuki.com

**1996 SUZUKI
DR200SE 1996-2000
FRAME COVER (MODEL X/Y)**

October 27, 2005



FIG.32A



REF#	PART	#REQ	REMARKS	YOUR PRICE
1	COVER, FRAME RH (WHITE) 47111-44AA0-30H	1		\$41.09
2	SHIELD, FRAME COVER RH 47166-44AA0	1		\$13.16
3	COVER, FRAME LH (WHITE) 47211-44AA0-30H	1		\$41.09
4	TAPE, RH 68135-44AE0-Y9C	1		\$18.48
5	TAPE, LH 68145-44AE0-Y9C	1		\$18.48
6	TAPE SET, RH 68130-44A80-AZ5	1		\$15.64
7	TAPE SET, LH 68140-44A80-AZ5	1		\$15.64
8	CUSHION, INNER 09320-08018	2		\$1.44
9	CUSHION, REAR 09320-08029	2		\$1.11
10	CUSHION, MUFFLER REAR 09321-10027	1		\$2.77
11	SCREW 09136-06017	2		\$1.07
12	WASHER 09169-06028	2		\$0.92

[\(close window\)](#)

Bell's Suzuki
667 New Circle Road
Lexington, KY 40505
(859) 299-3521
www.bellssuzuki.com

1996 SUZUKI
DR200SE 1996-2000
October 27, 2005
(prices subject to change without notice)



(close window)

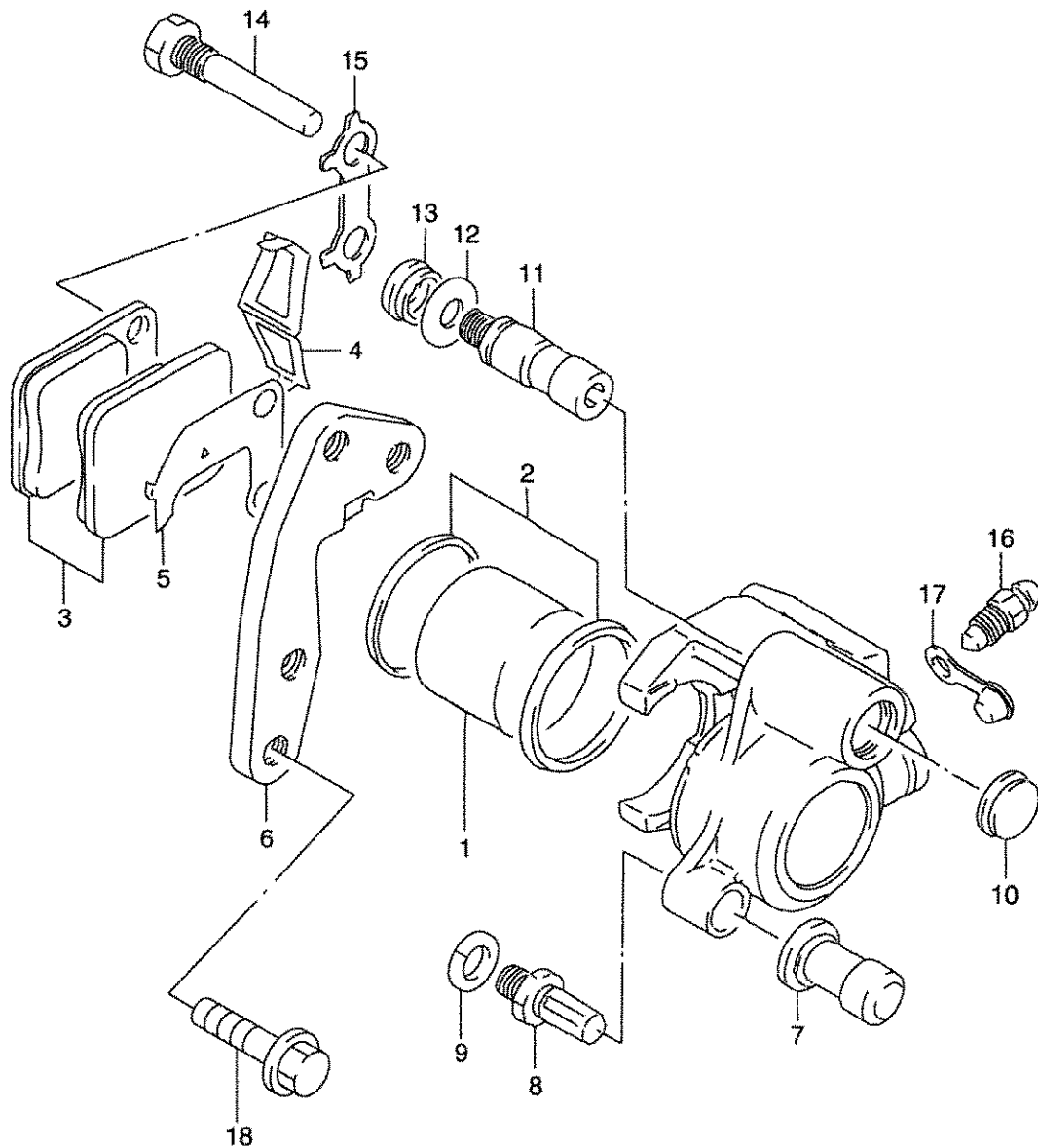
Bell's Suzuki
667 New Circle Road
Lexington, KY 40505
(859) 299-3521
www.bellssuzuki.com

**1996 SUZUKI
DR200SE 1996-2000
FRONT CALIPER**



October 27, 2005

FIG.43



REF#	PART	#REQ	REMARKS	YOUR PRICE
	CALIPER ASSY, FRONT LH 59300-42A10-999	1		\$92.15
1	.PISTON SET 59300-13810	1		\$15.33
2	..SEAL SET, PISTON 69100-13820	1		\$3.78
3	.PAD SET 59300-42810	1		\$22.29
4	.SPRING 59315-13A00	1		\$4.97
5	.SHIM 59371-13A00	1		\$4.04
6	.BRACKET 59351-13A01	1		\$31.30
7	.BOOT 59388-13A00	1		\$4.16
8	.BOLT 59382-13A00	1		\$4.04
9	.WASHER 59314-13A00	1		\$0.86
10	.DUST SEAL 59384-13A00	1		\$2.64
11	.PIN 59305-13A01	1		\$8.52
12	.SPRING 59306-13A00	1		\$1.40
13	.BOOT 59303-13A00	1		\$2.99
14	.PIN 59345-13A00	2		\$3.07
15	.WASHER 59346-13A00	1		\$1.77
16	.BLEEDER 59121-01A00	1		\$4.54
17	.CAP, BLEEDER 59122-01A00	1		\$2.26
18	BOLT, HANDLEBAR 09103-08269	2		\$1.22

[\(close window\)](#)

Bell's Suzuki
 667 New Circle Road
 Lexington, KY 40505
 (859) 299-3521
www.bellssuzuki.com

1996 SUZUKI
DR200SE 1996-2000
 October 27, 2005
 (prices subject to change without notice)



(close window)

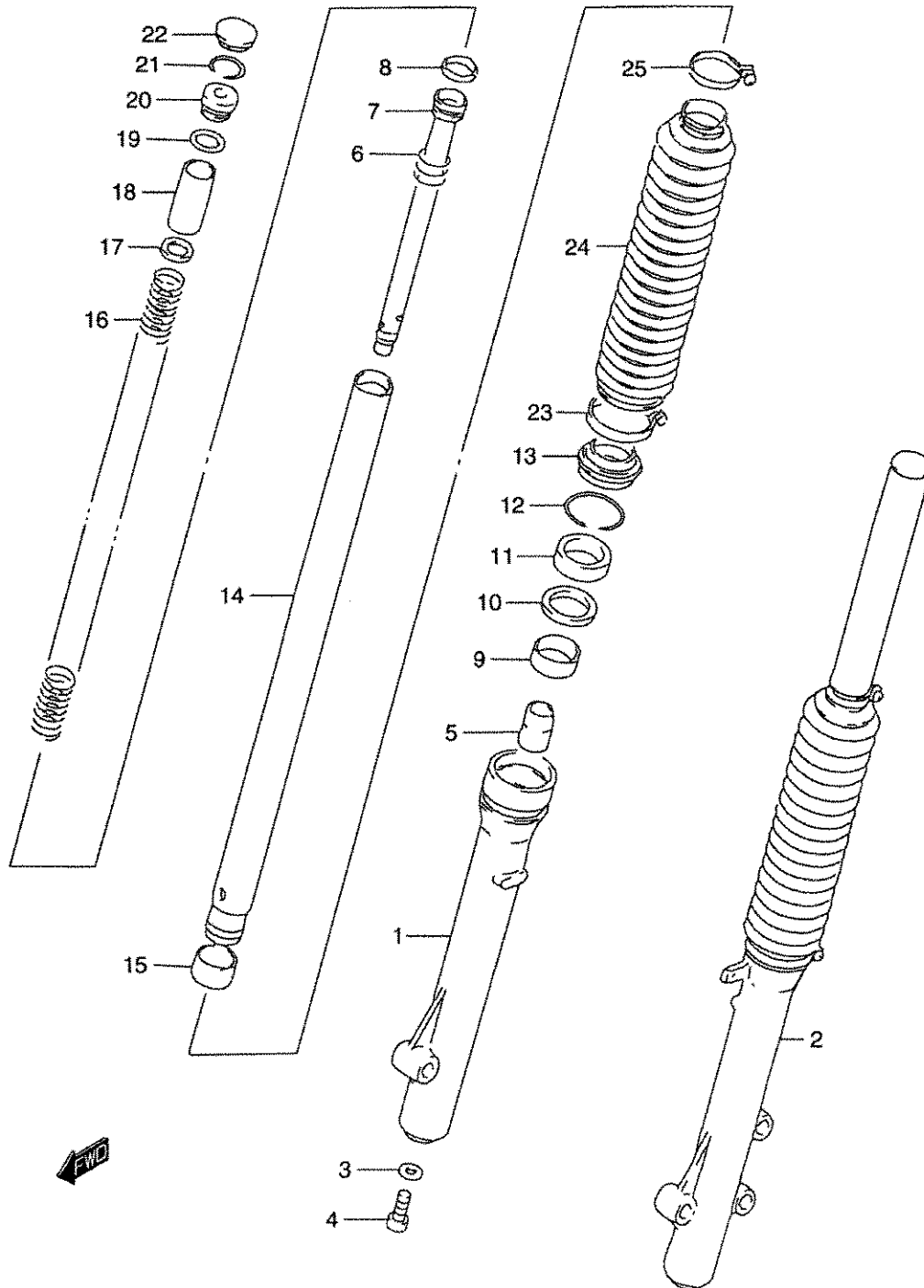
Bell's Suzuki
667 New Circle Road
Lexington, KY 40505
(859) 299-3521
www.bellssuzuki.com

**1996 SUZUKI
DR200SE 1996-2000
FRONT DAMPER**



October 27, 2005

FIG.40



REF#	PART	#REQ	REMARKS	YOUR PRICE
	DAMPER ASSY, FRONT FORK RH 51103-42AA0	1		\$427.79
	DAMPER ASSY, FRONT FORK LH 51104-42AA0	1		\$427.79
1	.TUBE, OUTER RH 51131-01A01	1		\$163.18
2	.TUBE, OUTER LH 51141-01A01	1		\$163.18
3	.GASKET 51148-36011	2		\$1.85
4	.BOLT, CENTER 51147-42AA0	2		\$1.33
5	.PIECE, OIL LOCK 51195-43530	2		\$8.43
7	.CYLINDER 51146-42AA0	2		\$40.29
8	.PISTON RING 51196-45200	2		\$3.47
9	.BUSH, GUIDE 51152-33300	2		\$7.50
10	.SPACER, SEAL 51168-30B00	2		\$3.22
11	.SEAL, OIL 51153-19D10	2		\$11.94
12	.RING, STOPPER 51156-01A00	2		\$2.22
13	.DUST SEAL 51173-01A00	2		\$7.50
14	.TUBE, INNER 51110-01A30	2		\$163.18
15	.PISTON 51121-33300	2		\$10.57
16	.SPRING, MAIN 51171-42AA0	2		\$26.15
17	.GUIDE, SPRING 51192-20510	2		\$1.85
18	.SPACER, SPRING 51176-42AA0	2		\$3.66
19	.O RING 51181-31030	2		\$2.22
20	.SEAT, SPRING 51175-47400	2		\$4.73
21	.RING, STOPPER 51169-47400	2		\$1.37
22	.CAP 51189-31230	2		\$3.99
23	BAND, BOOT LOWER 51576-42AA0	2		\$5.51
24-1	BOOT (YELLOW) 51571-01A00-163	2		\$30.09
24-2	BOOT (BLACK) 51571-01A00-019	2		\$28.87
25	BAND, UPPER 51575-01A00	2		\$4.55

[\(close window\)](#)

Bell's Suzuki
 667 New Circle Road
 Lexington, KY 40505
 (859) 299-3521
www.bellssuzuki.com

1996 SUZUKI
DR200SE 1996-2000
 October 27, 2005
 (prices subject to change without notice)



(close window)

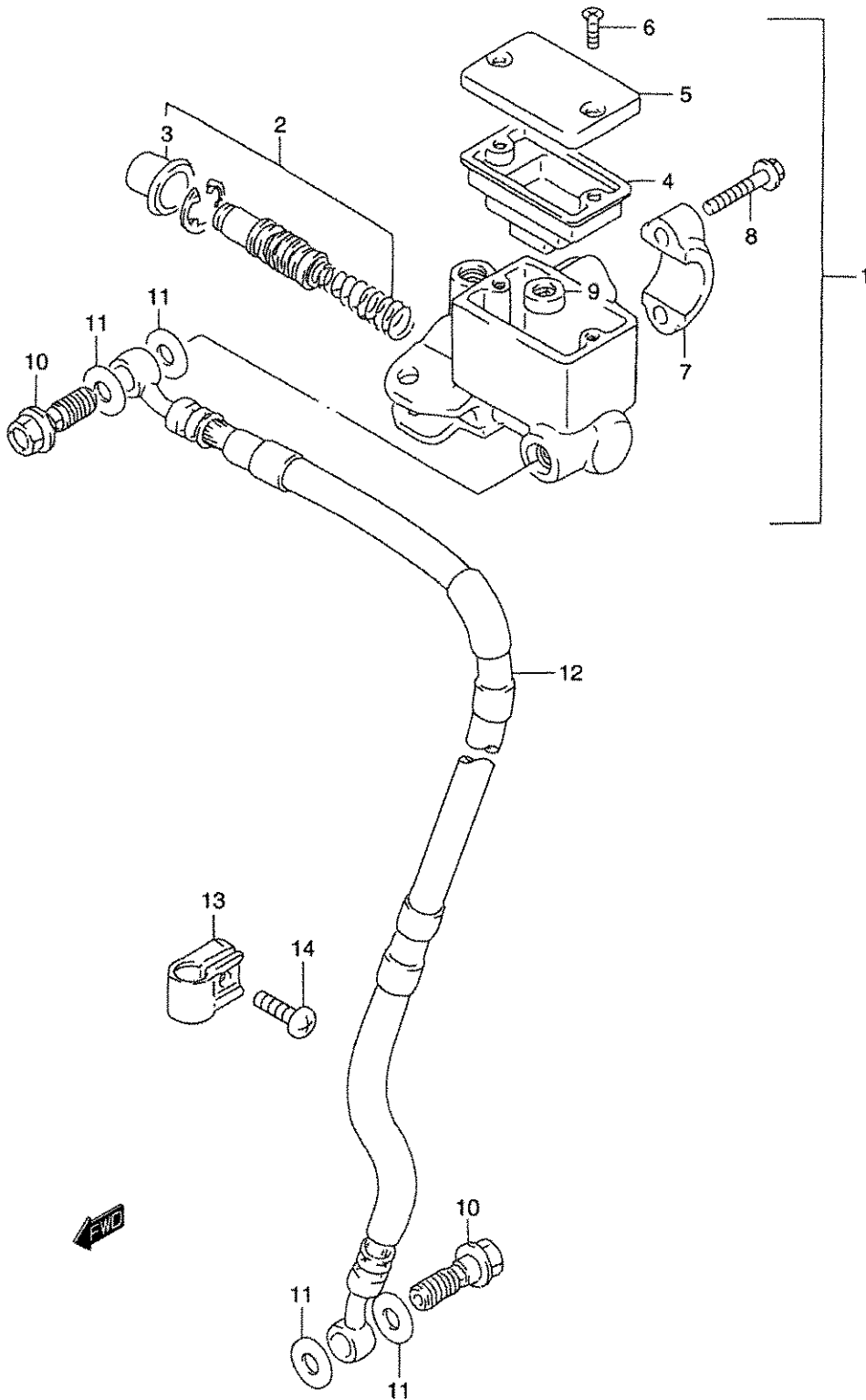
Bell's Suzuki
667 New Circle Road
Lexington, KY 40505
(859) 299-3521
www.bellssuzuki.com

**1996 SUZUKI
DR200SE 1996-2000
FRONT MASTER CYLINDER**

October 27, 2005



FIG.44



REF#	PART	#REQ	REMARKS	YOUR PRICE
1	CYLINDER ASSY, FRONT MASTER 59600-03D00	1		\$147.67
2	.PISTON/CUP SET 69600-38810	1		\$27.05
3	.BOOT 59666-44300	1		\$2.99
4	.DIAPHRAGM 59667-44B00	1		\$5.13
5	.CAP (SILVER) 59669-03D00	1		\$13.72
6	.SCREW 02122-04123	2		\$0.89
7	.HOLDER (SILVER) 59671-03D00	1		\$11.12
8	.BOLT 59675-27C00	2		\$1.77
9	.SEPARATOR 59748-14500	1		\$5.07
10	BOLT (10X1.00X22) 09360-10039	2		\$3.14
11	WASHER (10X15X1.5) 09161-10009	4		\$0.92
12	HOSE, FRONT BRAKE 59480-44AA0	1		\$53.60
13	CLAMP, BRAKE HOSE 58621-07A10	1		\$2.22
14	SCREW 02142-06163	1		\$0.24

[\(close window\)](#)

Bell's Suzuki
 667 New Circle Road
 Lexington, KY 40505
 (859) 299-3521
www.bellssuzuki.com

1996 SUZUKI
DR200SE 1996-2000
 October 27, 2005
 (prices subject to change without notice)



(close window)

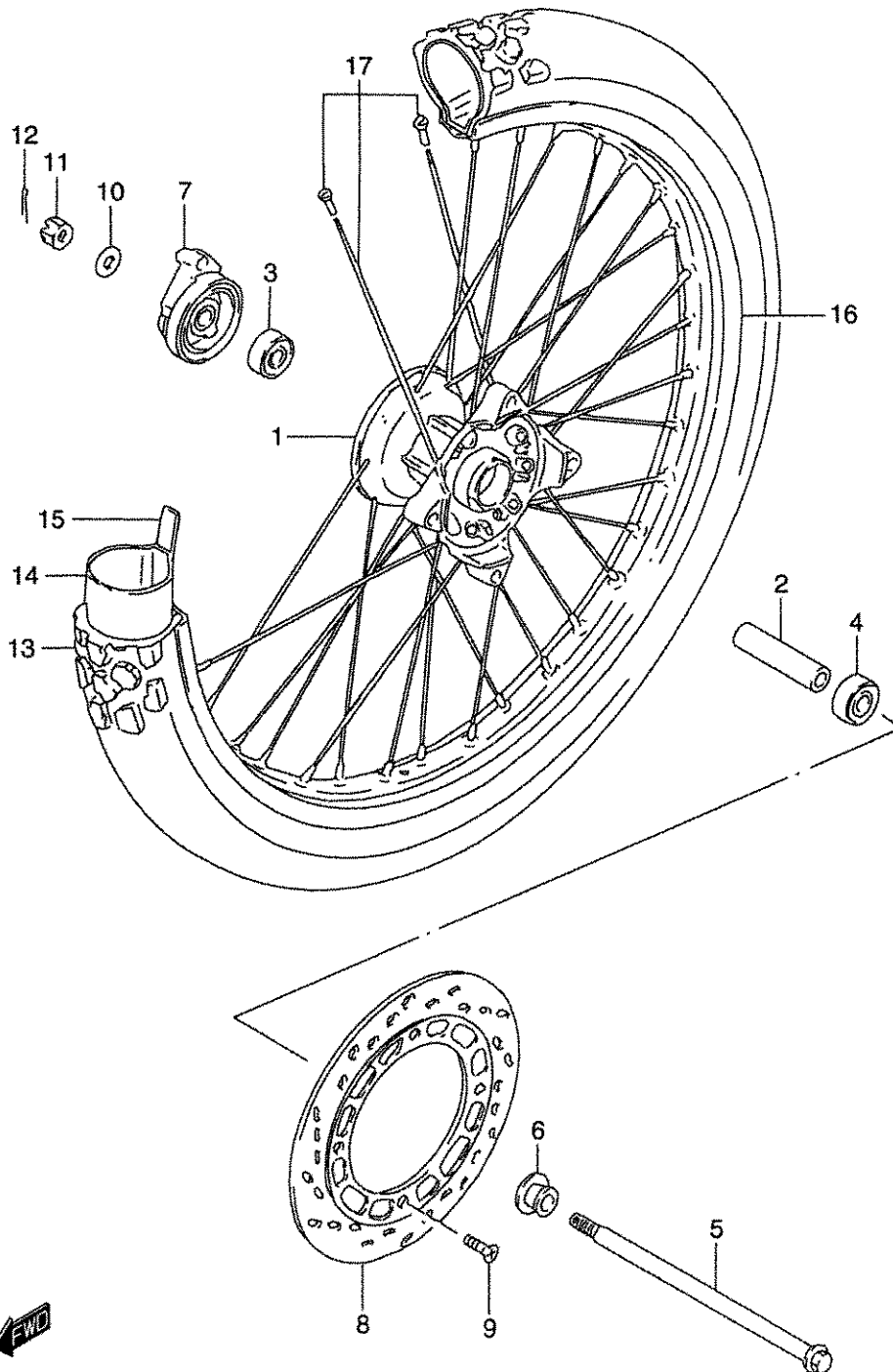
Bell's Suzuki
667 New Circle Road
Lexington, KY 40505
(859) 299-3521
www.bellssuzuki.com

**1996 SUZUKI
DR200SE 1996-2000
FRONT WHEEL**



October 27, 2005

FIG.42



REF#	PART	#REQ	REMARKS	YOUR PRICE
1	HUB, FRONT WHEEL (SILVER) 54111-44A10	1		\$144.57
2	SPACER (12.5X19X80.50) 09180-12146	1		\$6.40
3	BEARING, RH 08113-62017	1		\$6.99
4	BEARING 08133-62017	1		\$9.57
5	AXLE, FRONT 54711-44A01	1		\$17.56
6	SPACER, AXLE 54740-02B40	1		\$7.95
7	BOX ASSY, SPEEDOMETER 54600-01A00	1		\$43.88
8	DISC, FRONT BRAKE 59221-13A01	1		\$153.49
9	BOLT, DISC 09106-08155	4		\$1.92
10	WASHER 08322-01123	1		\$0.89
11	NUT 09141-12004	1		\$1.89
12	COTTER PIN 04111-30308	1		\$0.63
13	TIRE, FRONT (70/100-21 44P) 55110-42AA0	1		\$76.53
14	TUBE, INNER (2.75-21) 55200-16510	1		\$15.76
15-1	PROTECTOR, INNER TUBE 55261-14540	1		\$1.92
15-2	PROTECTOR, INNER TUBE 55261-32E00	1		\$2.81
16	RIM, FRONT WHEEL (21X1.60) 55311-42AA0	1		\$184.38
17	SPOKE SET, FRONT WHEEL 55320-42A00	1		\$27.05

(close window)

Bell's Suzuki
 667 New Circle Road
 Lexington, KY 40505
 (859) 299-3521
 www.bellssuzuki.com

1996 SUZUKI
DR200SE 1996-2000
 October 27, 2005
 (prices subject to change without notice)



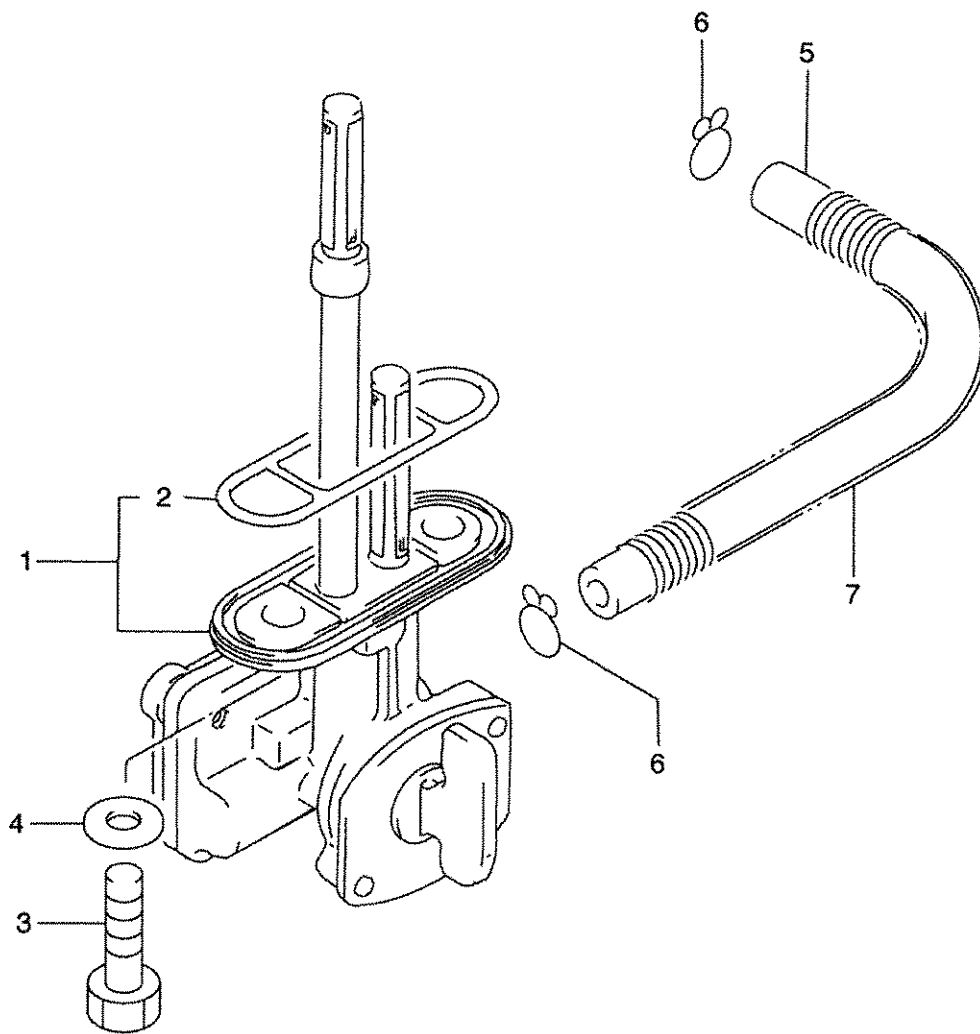
(close window)

Bell's Suzuki
667 New Circle Road
Lexington, KY 40505
(859) 299-3521
www.bellssuzuki.com

**1996 SUZUKI
DR200SE 1996-2000
FUEL COCK**
October 27, 2005



FIG.31



REF#	PART	#REQ	REMARKS	YOUR PRICE
1	COCK ASSY, FUEL 44300-44AB0	1		\$72.09
2	.GASKET, JOINT 44348-87420	1		\$3.70
3	BOLT 09128-06057	2		\$0.74
4	GASKET 09168-06026	2		\$1.48
5-1	HOSE (L.600fE130) 09352-50823-600	1	(E33)	\$4.25
6	CLIP 09401-08401	2		\$0.67
7	SPRING, VACUUM FUEL COCK 09440-10009	1		\$1.89

[\(close window\)](#)

Bell's Suzuki
667 New Circle Road
Lexington, KY 40505
(859) 299-3521
www.bellssuzuki.com

1996 SUZUKI
DR200SE 1996-2000
October 27, 2005
(prices subject to change without notice)



(close window)

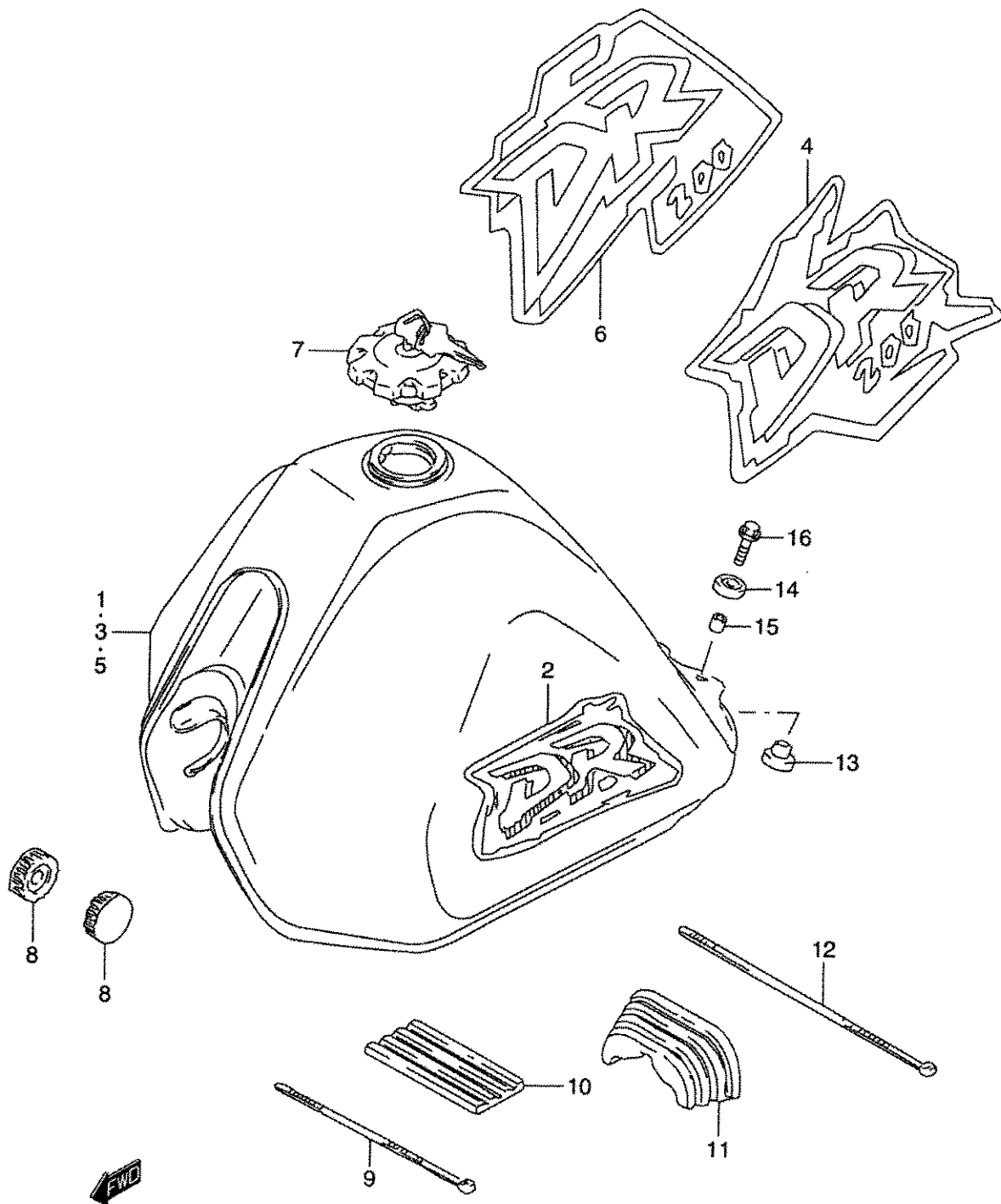
Bell's Suzuki
 667 New Circle Road
 Lexington, KY 40505
 (859) 299-3521
 www.bellssuzuki.com

**1996 SUZUKI
 DR200SE 1996-2000
 FUEL TANK (MODEL T/V/W)**



October 27, 2005

FIG.29



REF#	PART	#REQ	REMARKS	YOUR PRICE
1-1	TANK ASSY,FUEL 44100-44AL1-30H	1		\$477.92
2	EMBLEM SET, FUEL TANK 68120-44A00-Z65	1		\$67.44
3-1	TANK ASSY,FUEL 49100-44A01-30H	1		\$471.24
3-2	TANK ASSY,FUEL 49100-44A11-30H	1		\$471.24
4	.TAPE SET, FUEL TANK 68110-44AC0-Y2E	1		\$65.82
5-1	TANK ASSY,FUEL 49100-44A81-30H	1		\$491.29
5-2	TANK ASSY,FUEL 49100-44A91-30H	1		\$491.29
6	.TAPE SET, FUEL TANK 68110-44AJ0-Y5P	1		\$85.66
7-1	CAP SET, FUEL TANK 44200-12851	1		\$95.74
7-2	CAP SET, FUEL TANK 44200-05820	1		\$63.42
8	CUSHION, FRONT 09329-10016	2		\$1.48
9	CLAMP 09407-25402	1		\$2.29
10	CUSHION, UPPER 44541-14500	1		\$3.47
11	CUSHION, REAR NO.1 44542-14A00	1		\$6.40
12	CLAMP 09407-30402	1		\$1.96
13	CUSHION, REAR LOWER 09320-10020	2		\$1.22
14	CUSHION, REAR UPPER 09320-14013	2		\$1.00
15	SPACER 09180-06271	2		\$1.00
16	BOLT 01570-06303	2		\$1.17

(close window)

Bell's Suzuki
667 New Circle Road
Lexington, KY 40505
(859) 299-3521
www.bellssuzuki.com

1996 SUZUKI
DR200SE 1996-2000
October 27, 2005
(prices subject to change without notice)



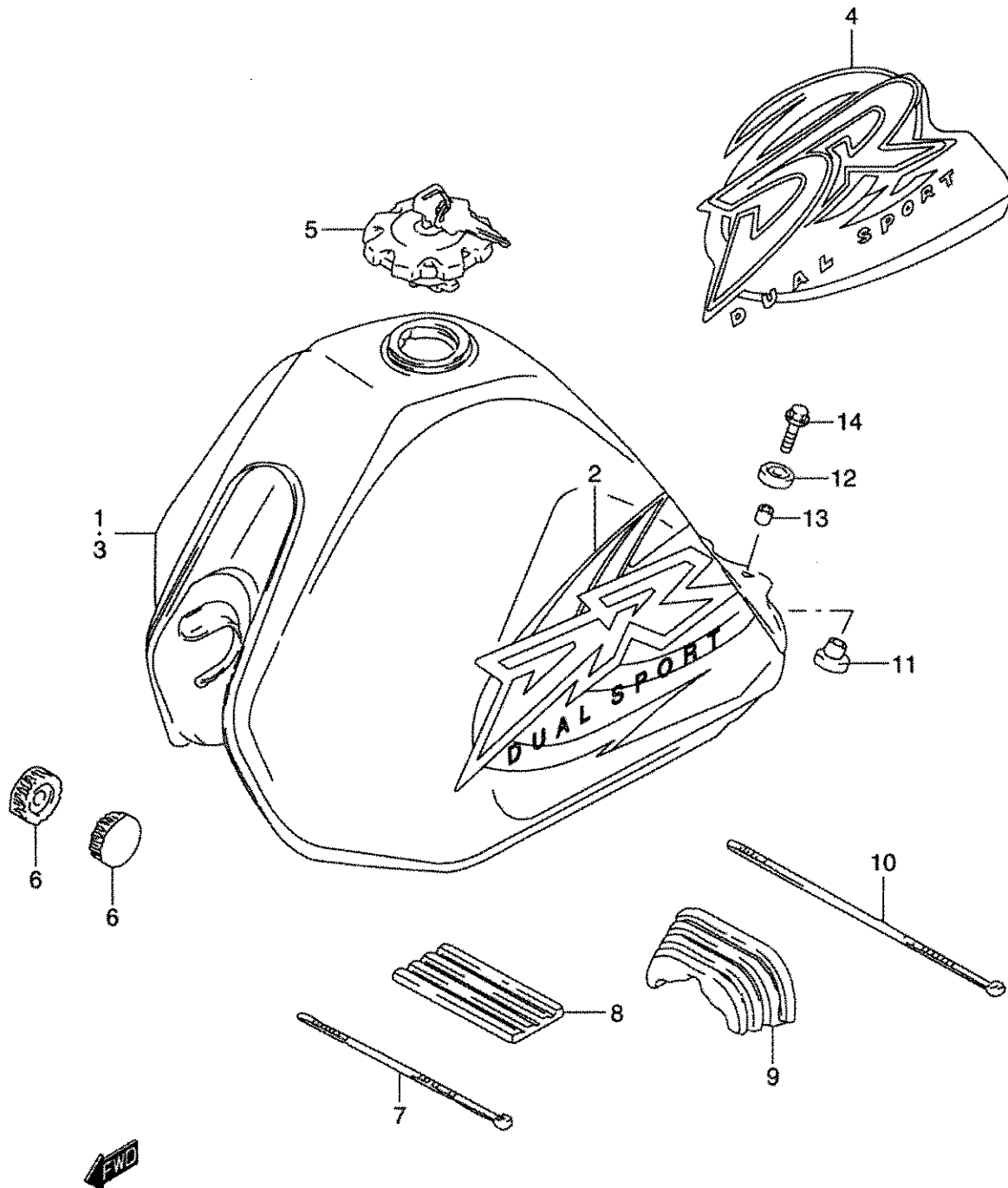
(close window)

Bell's Suzuki
667 New Circle Road
Lexington, KY 40505
(859) 299-3521
www.bellssuzuki.com

**1996 SUZUKI
DR200SE 1996-2000
FUEL TANK (MODEL X/Y)**
October 27, 2005



FIG.29A



REF#	PART	#REQ	REMARKS	YOUR PRICE
1-1	TANK ASSY,FUEL 49100-44AC1-30H	1		\$487.95
1-2	TANK ASSY,FUEL 49100-44AD1-30H	1		\$487.95
2	.TAPE SET, FUEL TANK 68110-44AL0-Y8P	1		\$105.04
3-1	TANK ASSY,FUEL 49100-44AM1-YC2	1		\$407.79
3-2	TANK ASSY,FUEL 49100-44AN1-YC2	1		\$407.79
4	.TAPE SET, FUEL TANK 68110-44AP0-AZ3	1		\$80.62
5-1	CAP SET, FUEL TANK 44200-12851	1		\$95.74
5-2	CAP SET, FUEL TANK 44200-05820	1		\$63.42
6	CUSHION, FRONT 09329-10016	2		\$1.48
7	CLAMP 09407-25402	1		\$2.29
8	CUSHION, UPPER 44541-14500	1		\$3.47
9	CUSHION, REAR NO.1 44542-14A00	1		\$6.40
10	CLAMP 09407-30402	1		\$1.96
11	CUSHION, REAR LOWER 09320-10020	2		\$1.22
12	CUSHION, REAR UPPER 09320-14013	2		\$1.00
13	SPACER 09180-06271	2		\$1.00
14	BOLT 01570-06303	2		\$1.17

(close window)

Bell's Suzuki
 667 New Circle Road
 Lexington, KY 40505
 (859) 299-3521
 www.bellssuzuki.com

1996 SUZUKI
DR200SE 1996-2000
 October 27, 2005
 (prices subject to change without notice)



[\(close window\)](#)

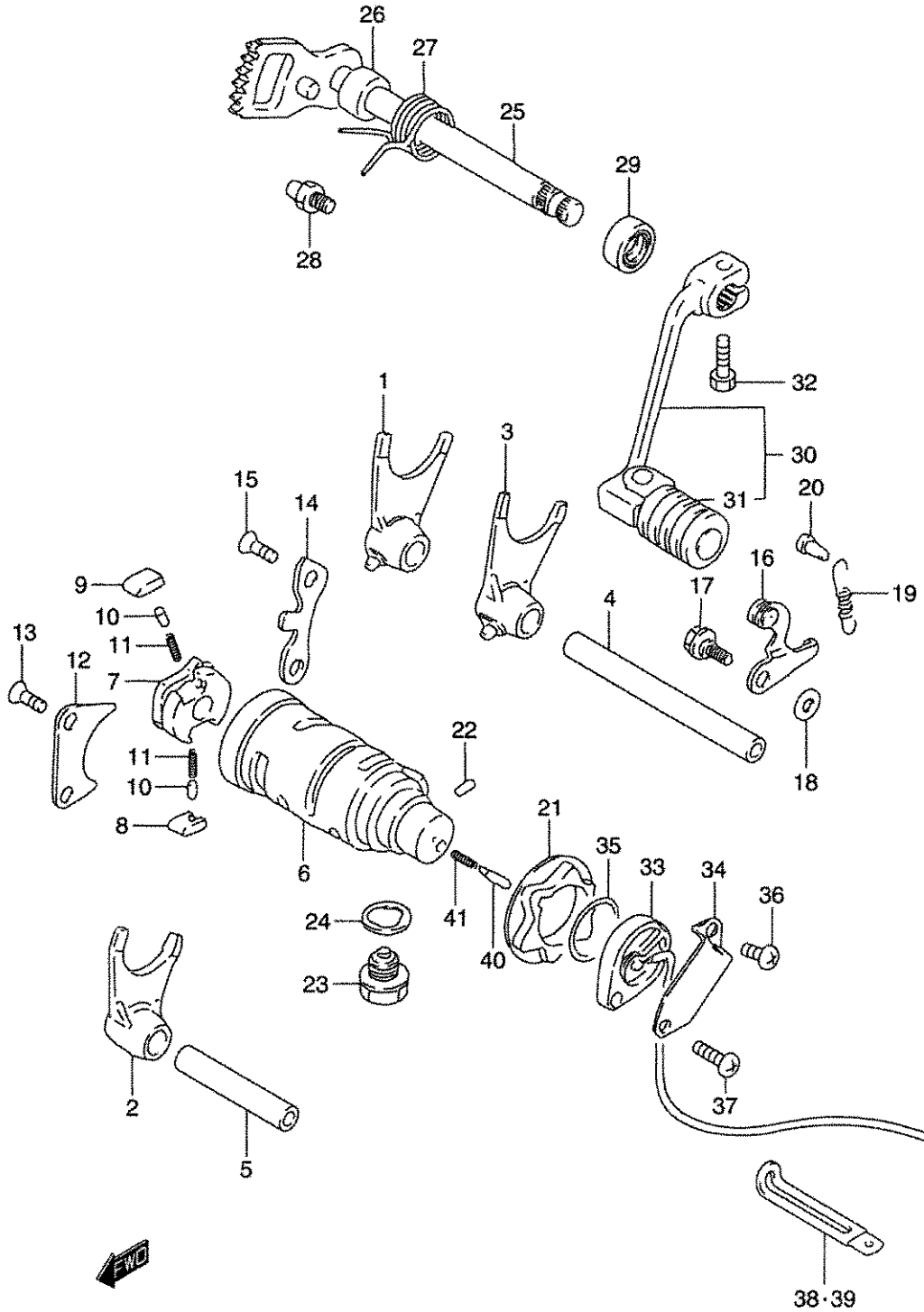
Bell's Suzuki
667 New Circle Road
Lexington, KY 40505
(859) 299-3521
www.bellsuzuki.com

**1996 SUZUKI
DR200SE 1996-2000
GEAR SHIFTING**



October 27, 2005

FIG.15



REF#	PART	#REQ	REMARKS	YOUR PRICE
1-1	FORK, GEAR SHIFT NO.1 25211-42A02	1		\$37.32
1-2	FORK, GEAR SHIFT NO.1 25211-42A02	1		\$37.32
2-1	FORK, GEAR SHIFT NO.2 25221-42A02	1		\$37.32
2-2	FORK, GEAR SHIFT NO.2 25221-42A02	1		\$37.32
3-1	FORK, GEAR SHIFT NO.3 25231-42A02	1		\$37.32
3-2	FORK, GEAR SHIFT NO.3 25231-42A02	1		\$37.32
4-1	SHAFT, FORK (1) 25411-05201	1		\$8.65
4-2	SHAFT, FORK (1) 25411-16701	1		\$7.50
5-1	SHAFT, GEAR SHIFTING NO.2 25421-35410	1		\$9.76
5-2	SHAFT, GEAR SHIFTING NO.2 25421-35410	1		\$9.76
6	CAM, GEAR SHIFTING 25310-42A00	1		\$55.45
7-1	GEAR, DRIVEN 25322-31310	1		\$11.64
7-2	GEAR, DRIVEN 25322-31310	1		\$11.64
7-3	GEAR, DRIVEN 25322-31310	1		\$11.64
8	PAWL, NO.1 25323-34201	1		\$3.81
9	PAWL, NO.2 25324-34201	1		\$3.81
10	PIN 09261-05003	2		\$0.67
11	SPRING 09440-04003	2		\$0.67
12	LIFTER, PAWL 25331-30001	1		\$2.62
13	SCREW 02122-06123	2		\$0.67
14	GUIDE, CAM 25341-05200	1		\$5.10
15	SCREW 02122-06123	2		\$0.67
16	STOPPER, GEAR SHIFT CAM 25350-42A01	1		\$6.99
17	BOLT 09111-06054	1		\$1.44
18	WASHER 08211-06141	1		\$0.76
19	SPRING 09443-10036	1		\$1.89
20	HOOK 09223-04001	1		\$0.63
21	PLATE, STOPPER 25381-04700	1		\$9.57
22	PIN, TEAR SHIFT STOPPER 04221-04069	1		\$0.82
23	PLUG 09247-14026	1		\$1.89
24	GASKET 09168-14004	1		\$0.74
25	SHAFT, GEAR SHIFTING 25510-05201	1		\$38.11
26	SPACER 09180-12068	1		\$1.44
27	SPRING 09444-26023	1		\$1.92
28	STOPPER, ARM 25671-01011	1		\$2.29
29	OIL SEAL 09285-12002	1		\$1.63
30	LEVER ASSY, GEAR SHIFT 25600-42A00	1		\$25.53
31	RUBBER, GEAR PEDAL 25652-03D00	1		\$2.62
32	BOLT 01500-06203	1		\$0.63
33	BASE ASSY, NEUTRAL SWITCH 37720-42A30	1		\$17.19
34	PROTECTOR 37721-42A00	1		\$1.37
35	O RING 09280-22001	1		\$0.67
36	SCREW 02112-05083	1		\$0.67
37	SCREW 02112-05163	1		\$0.67

38	CLAMP 09404-06429	1	\$1.07
40	CONTACT, GEAR SHIFT 09209-05011	1	\$0.92
41	SPRING, GEAR SHIFT SW 09440-04010	1	\$0.67

[\(close window\)](#)

Bell's Suzuki
667 New Circle Road
Lexington, KY 40505
(859) 299-3521
www.bellssuzuki.com

1996 SUZUKI
DR200SE 1996-2000
October 27, 2005
(prices subject to change without notice)



(close window)

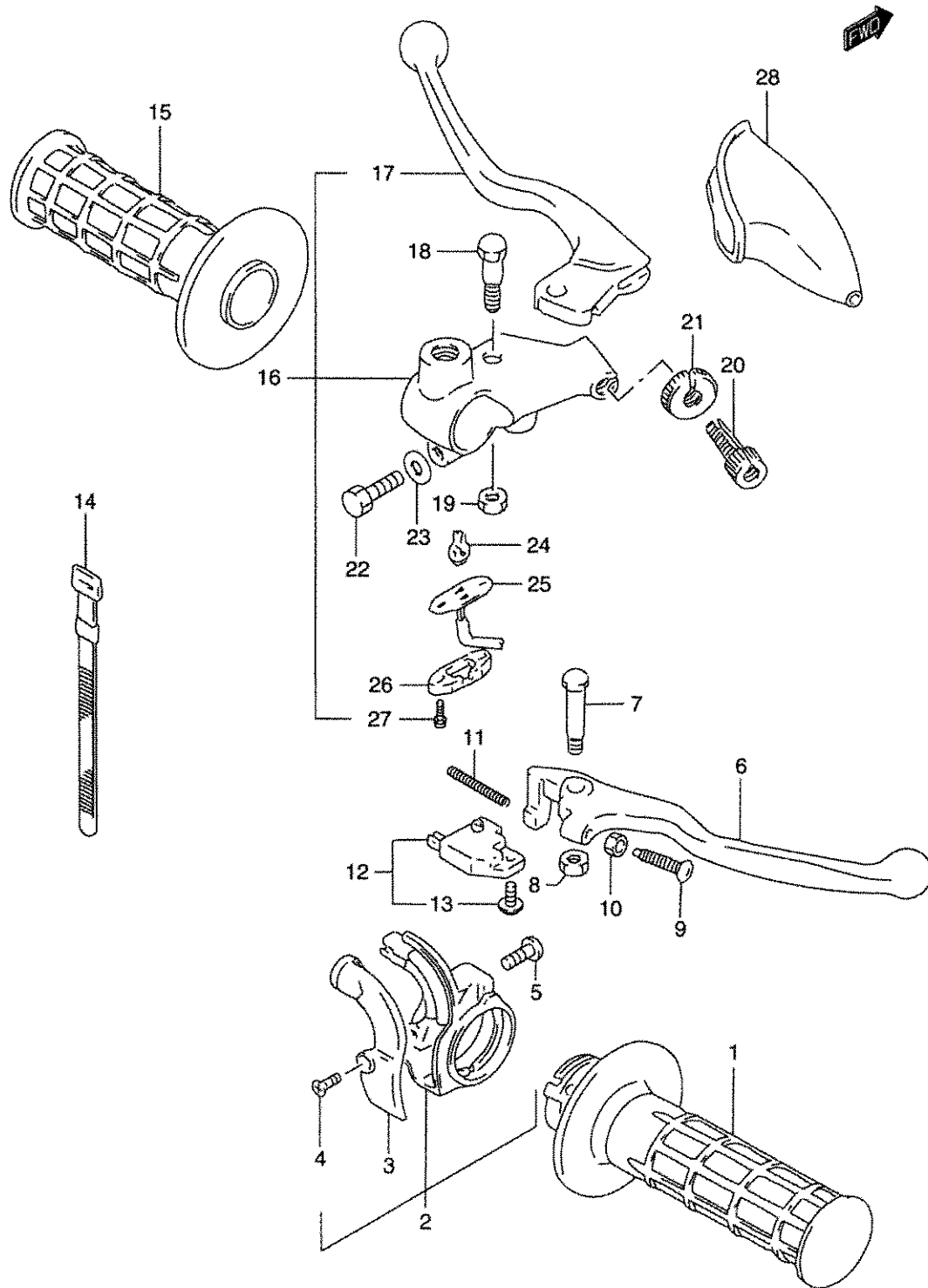
Bell's Suzuki
667 New Circle Road
Lexington, KY 40505
(859) 299-3521
www.bellsuzuki.com

**1996 SUZUKI
DR200SE 1996-2000
HANDLE LEVER**



October 27, 2005

FIG.35



REF#	PART	#REQ	REMARKS	YOUR PRICE
1	GRIP, THROTTLE 57110-14D00	1		\$18.26
2	CASE ASSY, THROTTLE 57100-28B00	1		\$27.65
3	.COVER 57129-13601	1		\$5.10
4	.SCREW, PLATE 02122-04103	1		\$0.89
5	SCREW 02112-05164	1		\$1.05
6	LEVER, BRAKE 57421-03D00	1		\$11.35
7	BOLT 57431-14500	1		\$3.22
8	NUT 08319-21068	1		\$0.67
9	SCREW 57431-14511	1		\$3.00
10	NUT 08310-00053	1		\$0.86
11	SPRING 57318-14502	1		\$2.29
12	SWITCH ASSY, STOP 57460-17C01	1		\$12.16
13	.SCREW 57465-17C00	1		\$0.97
14	BAND 09407-12402	2		\$1.44
15	GRIP, LH 57211-27C00	1		\$7.21
16	LEVER ASSY, CLUTCH 57500-44AD0	1		\$34.93
17	.LEVER 57620-15D11	1		\$12.43
18	.BOLT 57431-11013	1		\$3.22
19	NUT 08319-21068	1		\$0.67
20	.ADJUSTER 57441-11010	1		\$2.92
21	.NUT 57442-44B00	1		\$5.10
22	BOLT 01500-06207	1		\$0.97
23	WASHER 08322-01067	1		\$0.89
24	.HOLDER 57465-18601	1		\$2.22
25	.WIRE, HARNESS 57541-49100	1		\$4.25
26	.COVER 57481-33010	1		\$2.92
27	.SCREW 57484-49110	2		\$0.74
28	COVER, CLUTCH LEVER 57341-40002	1		\$3.85

[\(close window\)](#)

Bell's Suzuki
 667 New Circle Road
 Lexington, KY 40505
 (859) 299-3521
 www.bellssuzuki.com

1996 SUZUKI
DR200SE 1996-2000
 October 27, 2005
 (prices subject to change without notice)



[\(close window\)](#)

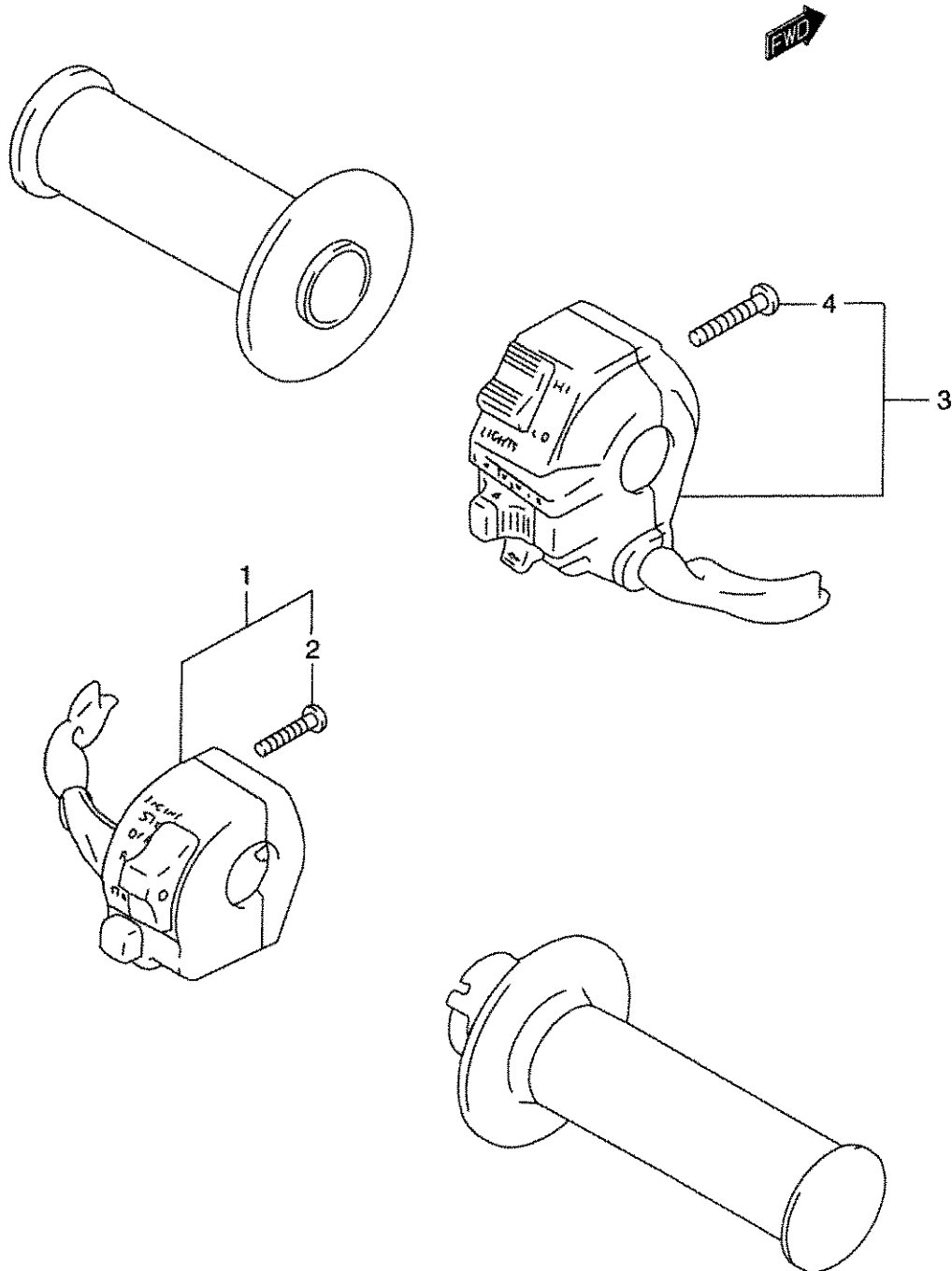
Bell's Suzuki
667 New Circle Road
Lexington, KY 40505
(859) 299-3521
www.bellssuzuki.com

**1996 SUZUKI
DR200SE 1996-2000
HANDLE SWITCH**

October 27, 2005



FIG.25



REF#	PART	#REQ	REMARKS	YOUR PRICE
1	SWITCH ASSY, HANDLE RH 37200-44A70	1		\$57.84
2	.SCREW 02112-04203	2		\$0.59
3	SWITCH ASSY,HAN 37400-44A30	1		\$77.55
4	.SCREW 02112-05305	2		\$0.67

[\(close window\)](#)

Bell's Suzuki
667 New Circle Road
Lexington, KY 40505
(859) 299-3521
www.bellssuzuki.com

1996 SUZUKI
DR200SE 1996-2000
October 27, 2005
(prices subject to change without notice)



(close window)

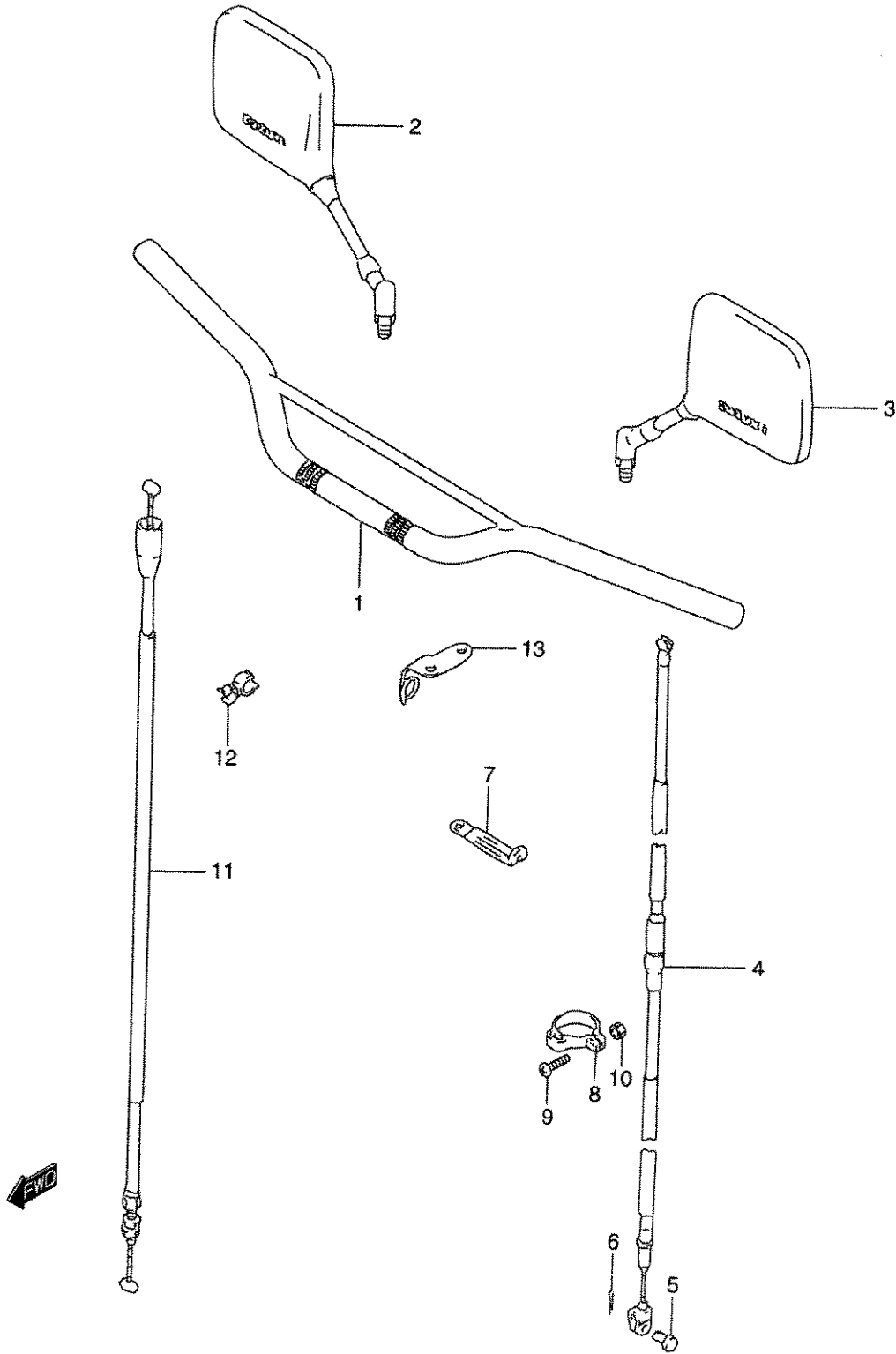
Bell's Suzuki
667 New Circle Road
Lexington, KY 40505
(859) 299-3521
www.bellsuzuki.com

**1996 SUZUKI
DR200SE 1996-2000
HANDLEBAR**



October 27, 2005

FIG.34



REF#	PART	#REQ	REMARKS	YOUR PRICE
1	HANDLEBAR (BLACK) 56110-44AA0-291	1		\$65.42
2-1	MIRROR ASSY, REAR VIEW RH 56500-01A10	1		\$19.39
2-2	MIRROR ASSY, REAR VIEW RH 56500-10041	1		\$32.27
3-1	MIRROR ASSY, REAR VIEW LH 56800-01A10	1		\$19.39
3-2	MIRROR ASSY, REAR VIEW LH 56600-10041	1		\$32.27
4-1	CABLE ASSY, CLUTCH 58200-44AB1	1		\$16.93
4-2	CABLE ASSY, CLUTCH 58200-44AB1	1		\$16.93
5	PIN 09200-06004	1		\$0.92
6	COTTER PIN 04111-20158	1		\$0.59
7	CLAMP (L:235) 09407-25401	1		\$2.29
8-1	CLAMP, NO.2 58285-05351	1		\$1.23
8-2	CLAMP, NO.2 58285-05351	1		\$1.23
9	SCREW 02112-05163	1		\$0.67
10	NUT 08310-00053	1		\$0.86
11	CABLE ASSY, THROTTLE 58300-44AA0	1		\$13.16
13	GUIDE, DECOMP CABLE 58620-15D10	1		\$5.44

[\(close window\)](#)

Bell's Suzuki
 667 New Circle Road
 Lexington, KY 40505
 (859) 299-3521
 www.bellssuzuki.com

1996 SUZUKI
DR200SE 1996-2000
 October 27, 2005
 (prices subject to change without notice)



Bell's Suzuki
667 New Circle Road
Lexington, KY 40505
(859) 299-3521
www.bellsuzuki.com

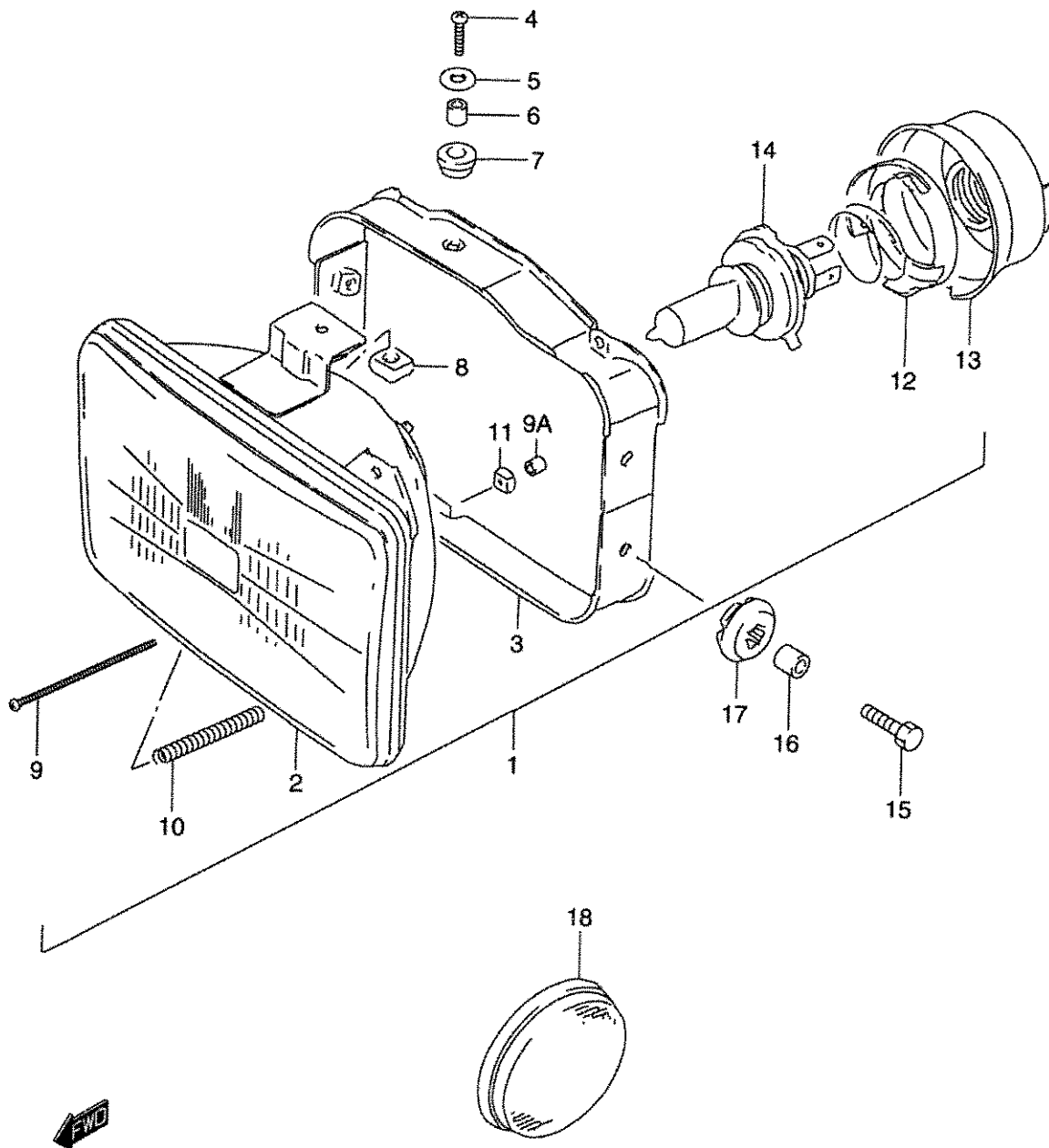
(close window)

**1996 SUZUKI
DR200SE 1996-2000
HEADLAMP**

October 27, 2005



FIG.21



REF#	PART	#REQ	REMARKS	YOUR PRICE
1	HEADLAMP ASSY 35100-14A32-999	1		\$110.29
2	LAMP UNIT 35121-14A31	1		\$35.36
3	HOUSING 35141-14A00	1		\$15.71
4	SCREW 02112-05207	1		\$0.97
5-1	WASHER (5.5X18X1) 09160-05045	1		\$0.94
5-2	WASHER (5.5X18X1) 09160-05045	1		\$0.94
6	SPACER 35133-14A00	1		\$1.85
7	CUSHION 35139-45230	1		\$0.78
8	NUT 35135-45900	1		\$1.37
9	SCREW 35151-45900	2		\$1.86
9A	CAP, SCREW 35158-43400	1		\$0.74
10	SPRING 35154-49200	2		\$2.02
11	NUT 35152-45600	2		\$1.41
12	HOLDER, BULB 35136-01A00	1		\$3.81
13	COVER, SOCKET 35173-01440	1		\$7.50
14	BULB (12V60/55W,H4) 09471-12060	1		\$7.64
15	BOLT 09116-06167	4		\$1.04
16-1	SPACER 09180-06263	4		\$0.98
16-2	SPACER 09180-06263	4		\$0.98
17	CUSHION 09320-09018	4		\$1.00
18	REFLEX REFLECTOR ASSY, FR SID 35950-14A00	2		\$7.95

(close window)

Bell's Suzuki
667 New Circle Road
Lexington, KY 40505
(859) 299-3521
www.bellssuzuki.com

1996 SUZUKI
DR200SE 1996-2000
October 27, 2005
(prices subject to change without notice)



print

(close window)

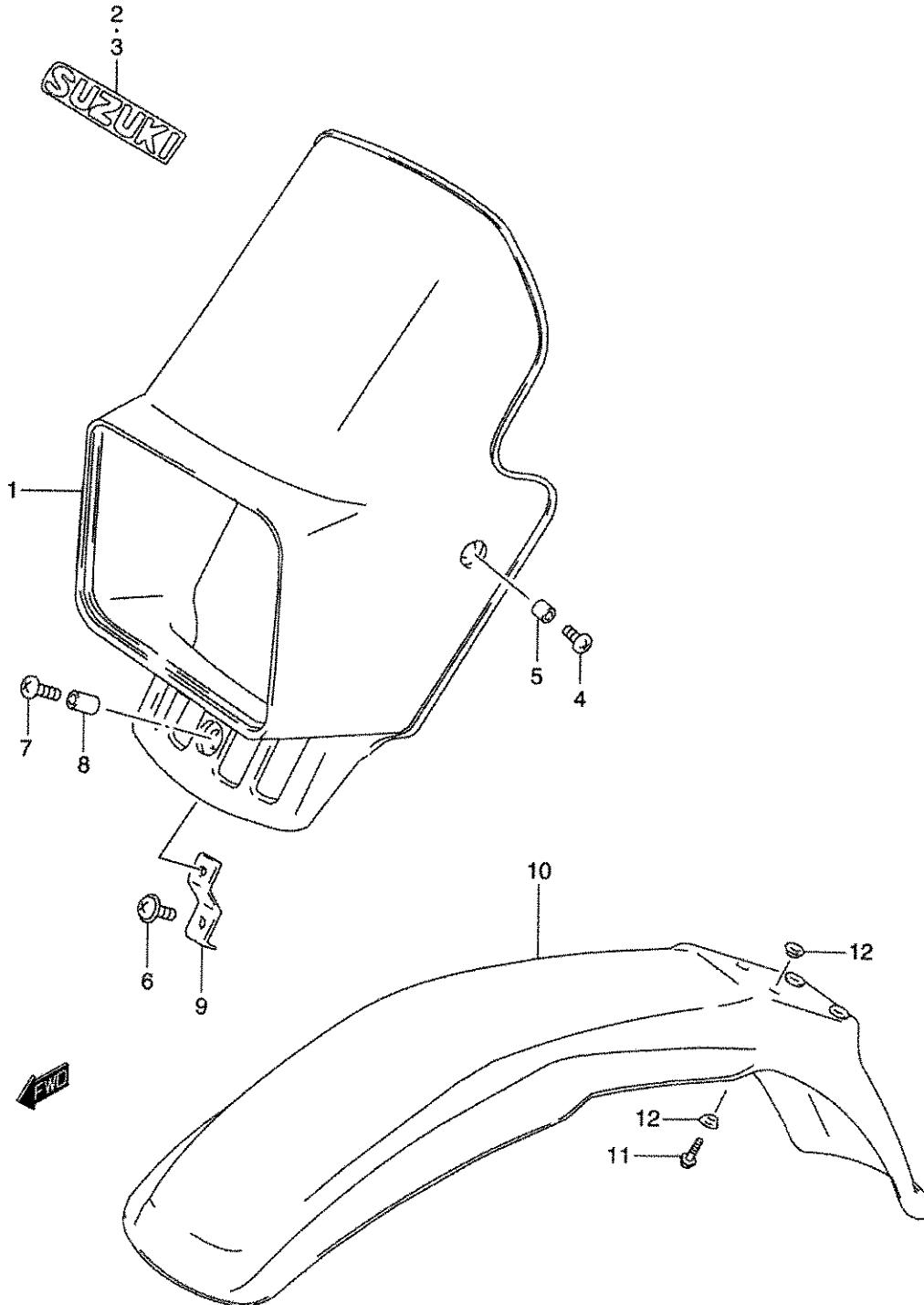
Bell's Suzuki
667 New Circle Road
Lexington, KY 40505
(859) 299-3521
www.bellssuzuki.com

**1996 SUZUKI
DR200SE 1996-2000
HEADLAMP COVER**



October 27, 2005

FIG.33



REF#	PART	#REQ	REMARKS	YOUR PRICE
1	COVER, HEADLAMP (WHITE) 51811-14A20-30H	1		\$42.28
2	EMBLEM, SUZUKI 68174-35B00-E9G	1		\$4.70
3-1	EMBLEM, SUZUKI 68171-44B00-F6F	1		\$5.44
3-2	EMBLEM 68171-44B00-L5D	1		\$5.40
3-3	EMBLEM, SUZUKI 68171-44B00-8YM	1		\$5.40
4	.SCREW 02142-06123	2		\$0.63
5-1	SPACER 09180-06245	2		\$1.00
5-2	SPACER 09180-06245	2		\$1.00
6	SCREW 02112-36127	1		\$1.22
7	.SCREW 02142-06203	1		\$0.63
8-1	SPACER 09180-06249	1		\$1.00
8-2	SPACER 09180-06249	1		\$1.00
9	BRACE, HOUSING LOWER 51814-44A00	1		\$2.22
10	FENDER, FRONT (WHITE) 53111-44A00-30H	1		\$62.62
11	BOLT 01550-06163	4		\$0.97
12	WASHER COVER 09169-06054	8		\$0.97

[\(close window\)](#)

Bell's Suzuki
 667 New Circle Road
 Lexington, KY 40505
 (859) 299-3521
www.bellssuzuki.com

1996 SUZUKI
DR200SE 1996-2000
 October 27, 2005
 (prices subject to change without notice)



(close window)

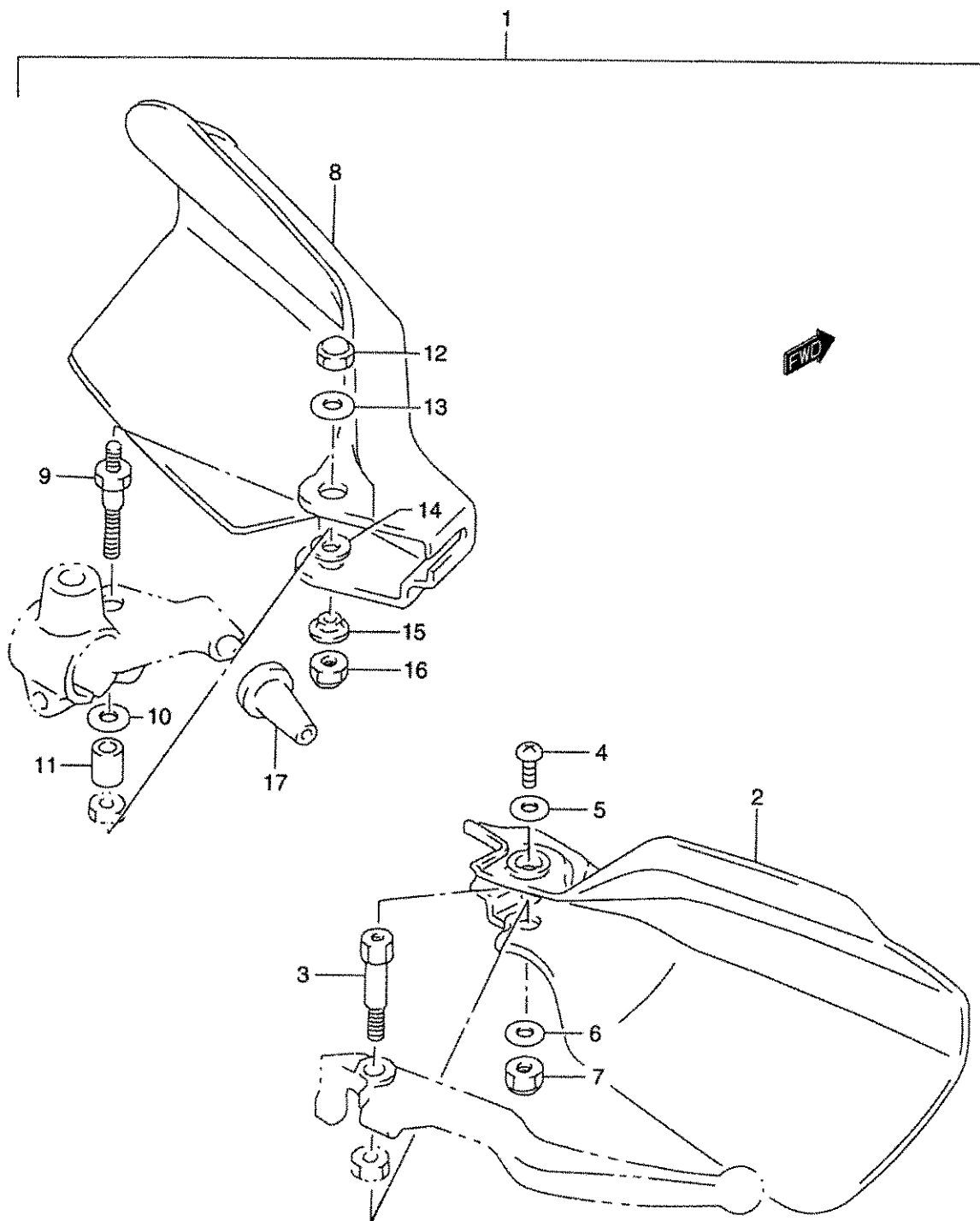
Bell's Suzuki
667 New Circle Road
Lexington, KY 40505
(859) 299-3521
www.bellssuzuki.com

**1996 SUZUKI
DR200SE 1996-2000
KNUCKLE COVER (OPTION)**



October 27, 2005

FIG.38



REF#	PART	#REQ	REMARKS	YOUR PRICE
2-1	COVER, KNUCKLE RH (PURPLE) 57341-05D00-Z16	1		\$19.52
2-2	COVER, KNUCKLE, RH (WHITE) 57341-05D00-30H	1		\$17.45
3	BOLT, BRAKE LEVER PIVOT 57431-05D00	1		\$5.88
4	SCREW, UPPER 02142-05107	1		\$0.52
5-1	WASHER 09160-05043	1		\$1.04
5-2	WASHER 09160-05043	1		\$1.04
6-1	.WASHER 09160-06130	1		\$0.94
6-2	.WASHER 09160-06130	1		\$0.94
7	NUT 08319-21068	1		\$0.67
8-1	COVER, KNUCKLE LH (PURPLE) 57541-31D00-Z16	1		\$19.74
8-2	COVER, KNUCKLE LH (WHITE) 57541-31D00-30H	1		\$19.52
9-1	.BOLT 57531-44B01	1		\$3.81
9-2	.BOLT 57531-44B01	1		\$3.81
10	.WASHER 57533-44B00	1		\$0.97
11	.SPACER 57532-44B00	1		\$2.00
12	NUT 08313-10067	1		\$0.89
13	WASHER, REAR 09160-06066	1		\$0.91
14	WASHER 09160-06019	1		\$0.63
15	WASHER 09169-06055	1		\$0.97
16	NUT 08319-21068	1		\$0.67
17	BOOT 58273-31000	1		\$0.94

[\(close window\)](#)

Bell's Suzuki
667 New Circle Road
Lexington, KY 40505
(859) 299-3521
www.bellssuzuki.com

1996 SUZUKI
DR200SE 1996-2000
October 27, 2005
(prices subject to change without notice)



print

(close window)

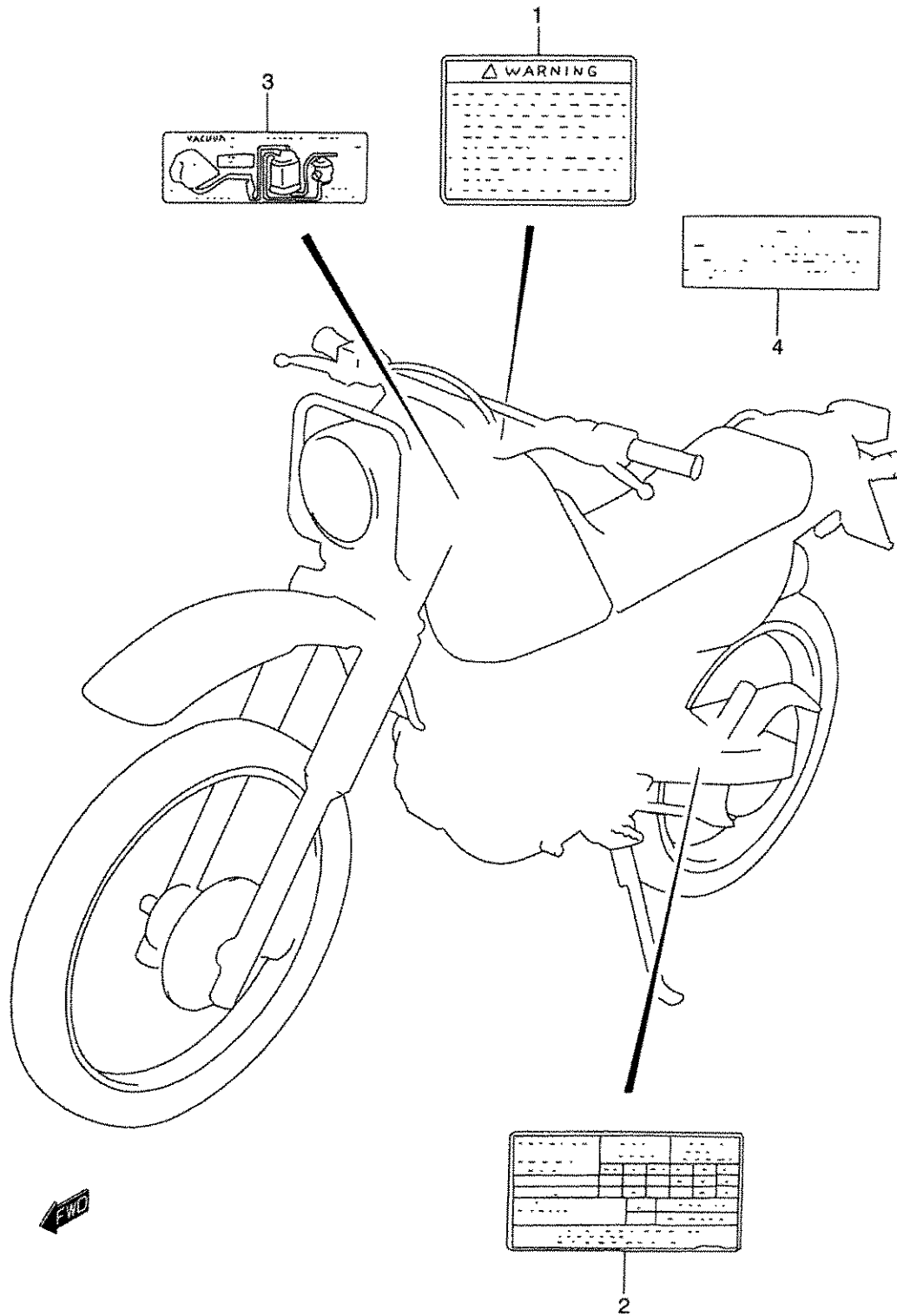
Bell's Suzuki
667 New Circle Road
Lexington, KY 40505
(859) 299-3521
www.belissuzuki.com

**1996 SUZUKI
DR200SE 1996-2000
LABEL**

October 27, 2005



FIG.37



REF#	PART	#REQ	REMARKS	YOUR PRICE
1-1	LABEL, WARNING 68319-33E01	1		\$3.81
1-2	LABEL, WARNING 68319-33E11	1		\$4.99
2-1	LABEL, TIRE AIR PRESSURE 68332-42AB0	1		\$3.92
2-2	LABEL, TIRE (ENGLISH) 68332-42AC0	1		\$5.03
3	LABEL, PIPING DIAGRAM 68387-44AA0	1		\$3.88
4	LABEL, MANUAL NOTICE 68353-26E02	1		\$2.62
5-2	MANUAL, OWNER'S 99011-42A27-28B	1		\$9.86
5-3	MANUAL, OWNER'S 99011-42A28-03A	1		\$9.86
5-5	MANUAL, OWNER'S 99011-42A50-03A	1		\$9.86
5-7	MANUAL, OWNER'S 99011-42A51-03A	1		\$9.86
5-9	MANUAL, OWNER'S 99011-42A52-03A	1		\$9.86

[\(close window\)](#)

Bell's Suzuki
 667 New Circle Road
 Lexington, KY 40505
 (859) 299-3521
www.bellssuzuki.com

1996 SUZUKI
DR200SE 1996-2000
 October 27, 2005
 (prices subject to change without notice)



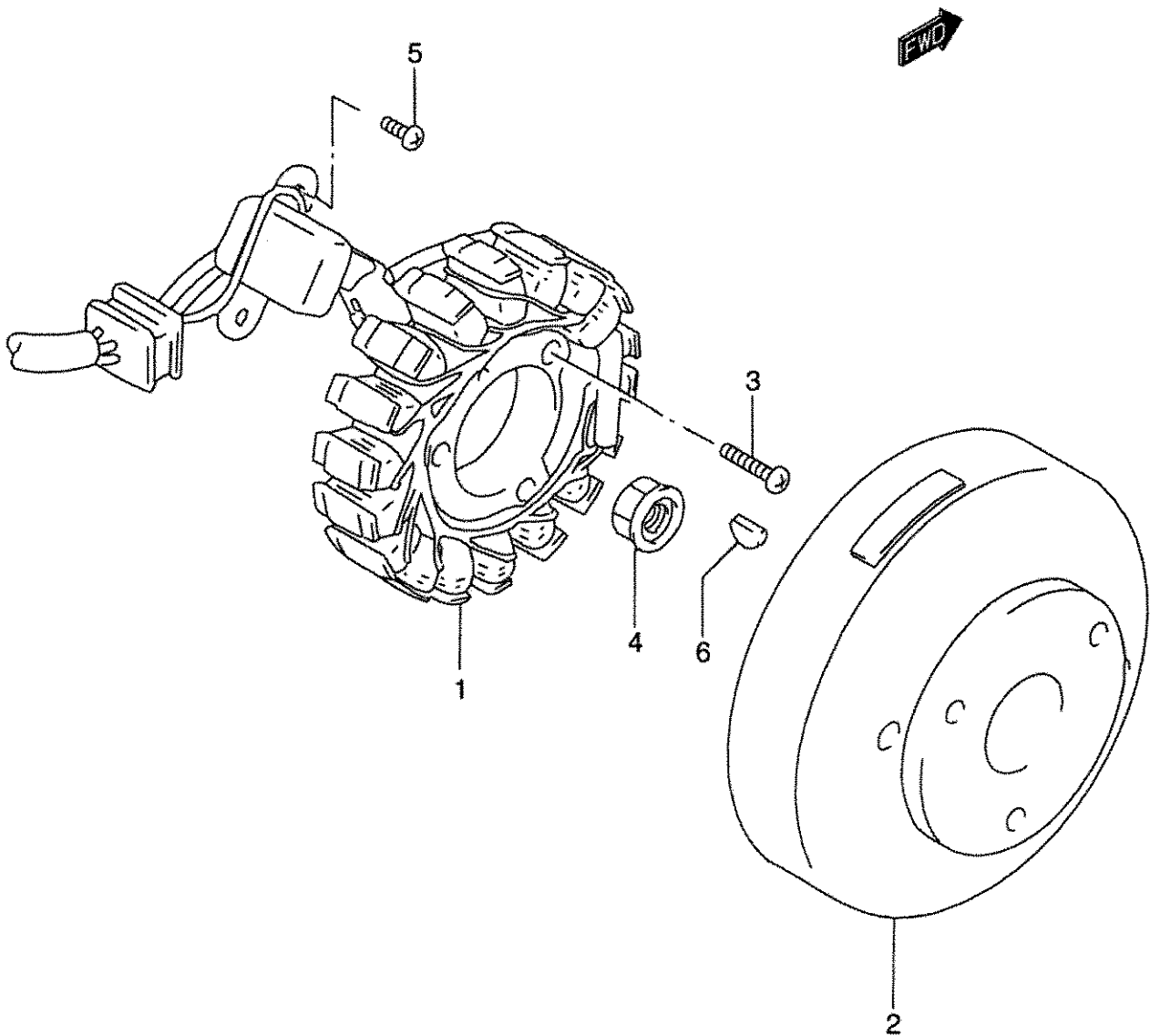
[\(close window\)](#)

Bell's Suzuki
667 New Circle Road
Lexington, KY 40505
(859) 299-3521
www.bellssuzuki.com

1996 SUZUKI
DR200SE 1996-2000
MAGNETO
October 27, 2005



FIG.17



REF#	PART	#REQ	REMARKS	YOUR PRICE
1	STATOR ASSY 32101-42A30	1		\$248.99
2	ROTOR ASSY 32102-42A30	1		\$242.97
3	.SCREW 02112-05253	3		\$0.67
4	NUT 08316-10103	1		\$1.07
5	SCREW, REAR COMP LAMP 02112-05123	2		\$0.67
6	KEY 09420-03008	1		\$1.44

[\(close window\)](#)

Bell's Suzuki
667 New Circle Road
Lexington, KY 40505
(859) 299-3521
www.bellssuzuki.com

1996 SUZUKI
DR200SE 1996-2000
October 27, 2005
(prices subject to change without notice)



[\(close window\)](#)

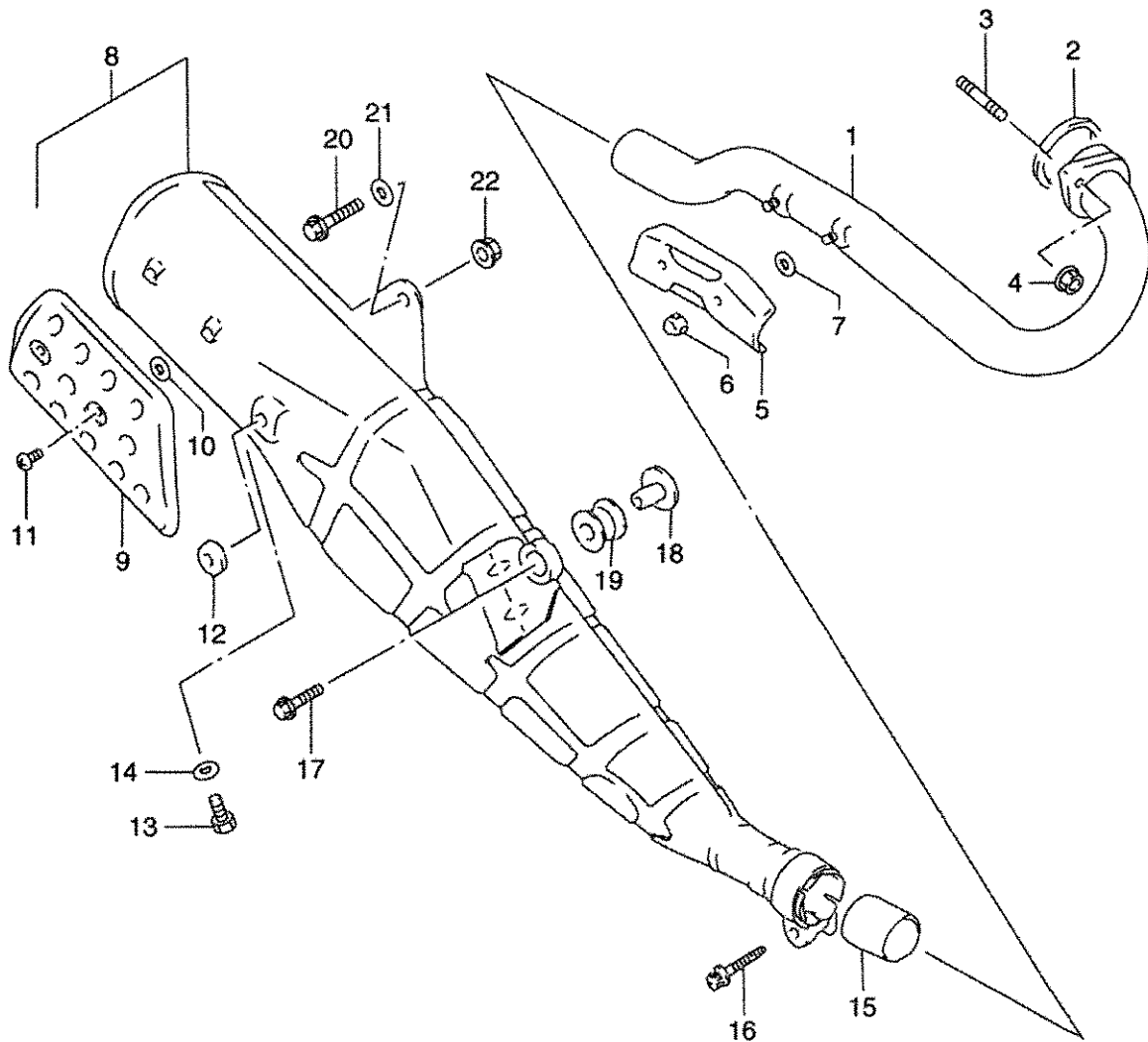
Bell's Suzuki
667 New Circle Road
Lexington, KY 40505
(859) 299-3521
www.bellssuzuki.com

**1996 SUZUKI
DR200SE 1996-2000
MUFFLER**

October 27, 2005



FIG.11



REF#	PART	#REQ	REMARKS	YOUR PRICE
1	PIPE, EXHAUST 14150-42A22	1		\$135.66
2	GASKET, EXHAUST PIPE 14181-42A00	1		\$5.69
3	STUD BOLT 01421-08258	2		\$1.00
4	NUT 08319-31087	2		\$1.11
5	COVER, EXHAUST PIPE 14186-42A20	1		\$12.16
6	NUT 09159-06035	2		\$2.11
7	GASKET 09168-06122	2		\$1.33
8	MUFFLER ASSY 14301-42A61-H01	1		\$227.46
9	.COVER, MUFFLER 14781-42A20	1		\$11.75
10	GASKET 09168-06120	2		\$1.33
11	SCREW, EXHAUST COVER 09139-06076	2		\$1.15
12	CUSHION 09321-10007	1		\$1.22
13	.PLUG, HOLE 09247-12103	1		\$1.33
14	.GASKET, HOLE PLUG 09168-12002	1		\$0.74
15	GASKET, 2ND MUFFLER 14773-14202	1		\$10.21
16	BOLT 07120-08353	1		\$1.70
17	BOLT (8X35) 09118-08080	1		\$1.22
18	SPACER 09180-08151	1		\$2.59
19	CUSHION 09320-12033	1		\$15.60
20	BOLT (8X35) 09103-08357	1		\$1.70
21	WASHER 08322-01083	1		\$0.89
22	NUT 08361-25083	1		\$0.97

[\(close window\)](#)

Bell's Suzuki
667 New Circle Road
Lexington, KY 40505
(859) 299-3521
www.bellssuzuki.com

1996 SUZUKI
DR200SE 1996-2000
October 27, 2005
(prices subject to change without notice)



print

(close window)

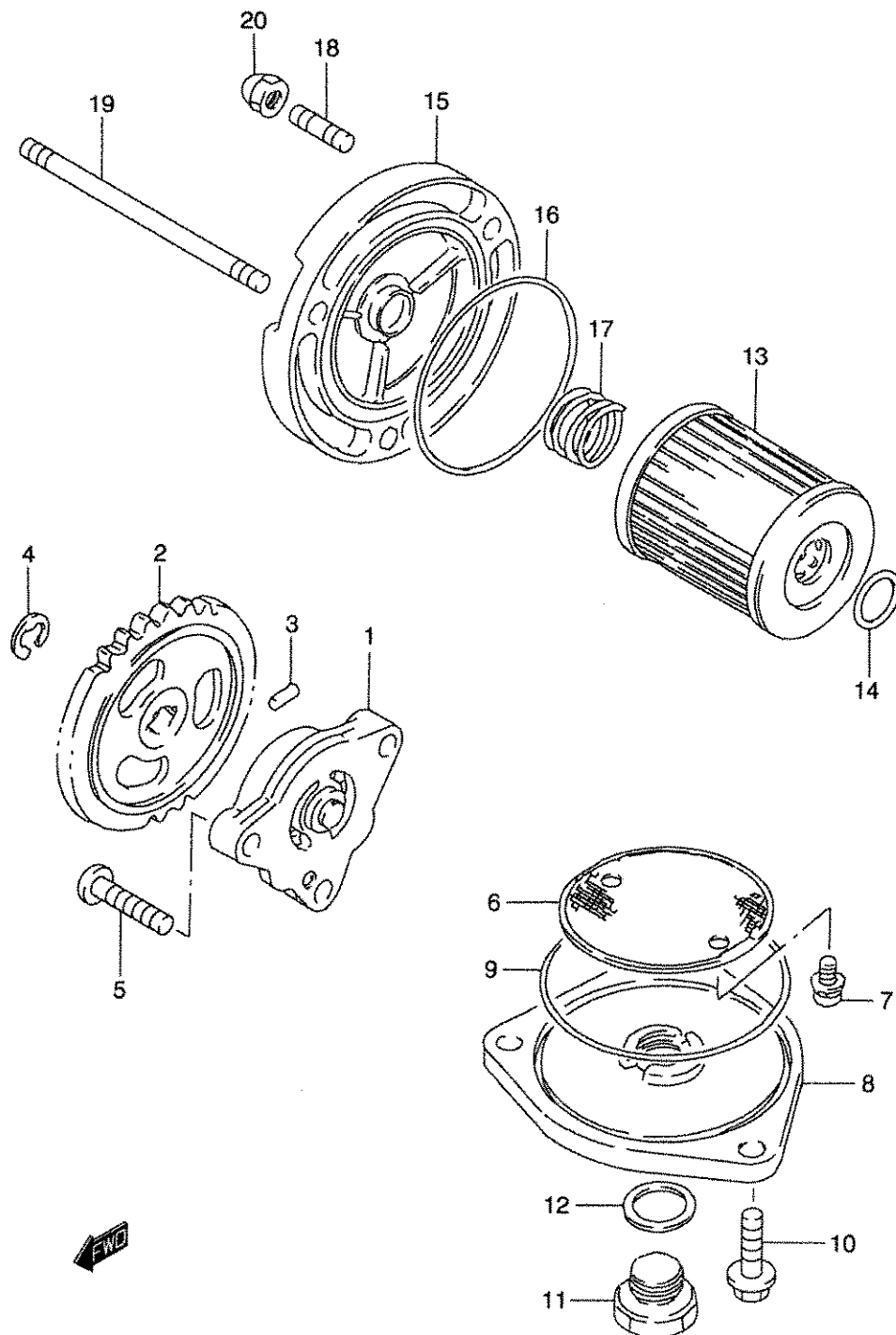
Bell's Suzuki
667 New Circle Road
Lexington, KY 40505
(859) 299-3521
www.bellssuzuki.com

**1996 SUZUKI
DR200SE 1996-2000
OIL PUMP**

October 27, 2005



FIG.12



(close window)

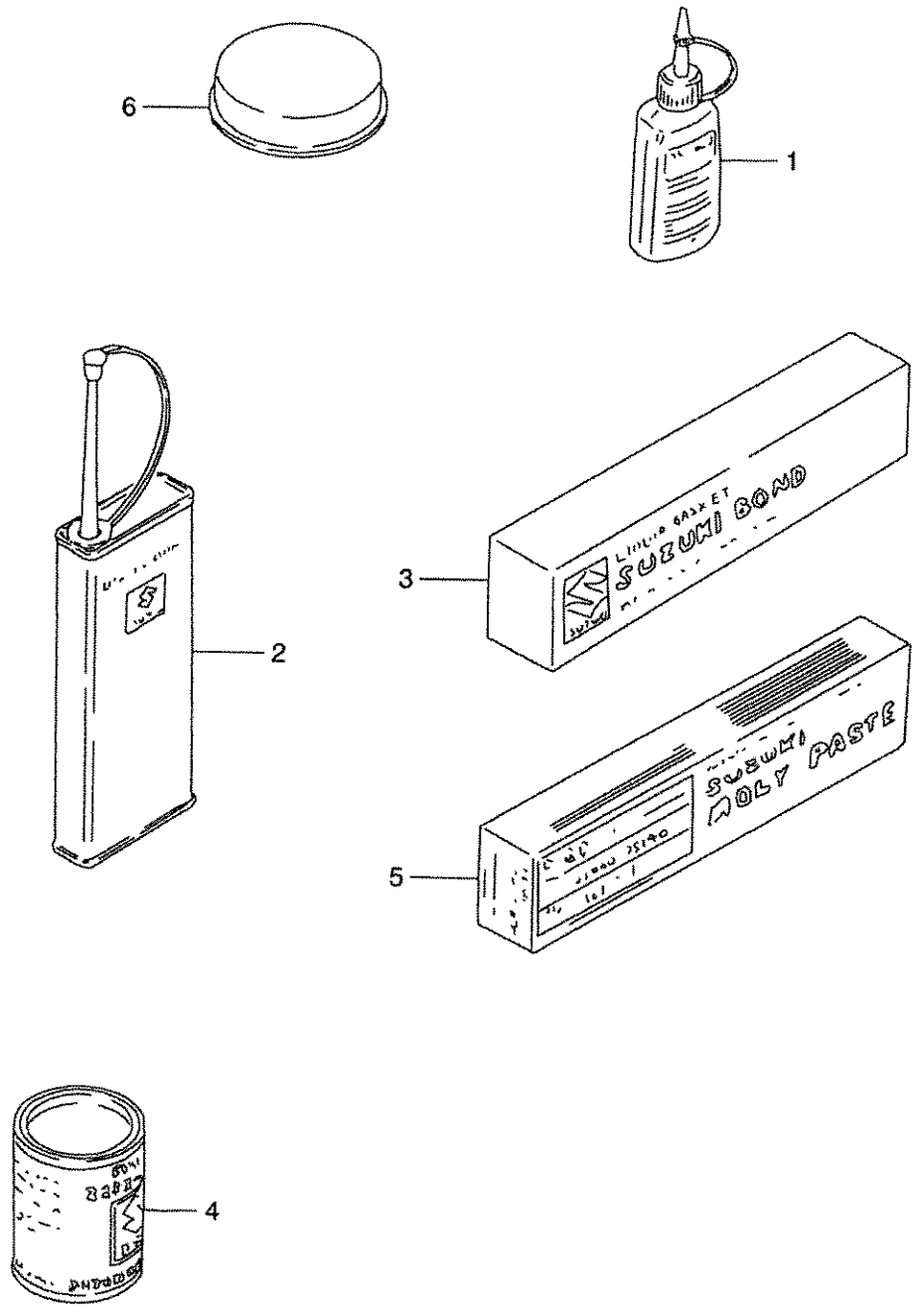
Bell's Suzuki
667 New Circle Road
Lexington, KY 40505
(859) 299-3521
www.bellsuzuki.com

**1996 SUZUKI
DR200SE 1996-2000
OPTIONAL**

October 27, 2005



FIG.48



REF#	PART	#REQ	REMARKS	YOUR PRICE
1-1	THREAD LOCK SUPER (1333B) 99000-32020	1		\$2.95
1-2	LOCK CEMENT, SUPER 99000-32030	1		\$2.95
1-3	THREAD LOCK SUPER (1342) 99000-32050	1		\$2.95
1-4	THREAD LOCK SUPER (1305) 99000-32100	1		\$124.70
1-5	THREAD LOCK SUPER (1360) 99000-32130	1		\$2.95
2	THREAD CEMENT 99000-32040	1		\$18.95
3-1	LIQUID GASKET 1 99104-31140	1		\$18.95
3-2	SUZUKI BOND (1207B) BLACK 99000-31140	1		\$73.40
4	GREASE, SUZUKI SUPER 99000-25030	1		\$5.95
5	SUZUKI MOLY PASTE 99000-25140	1		\$10.28
6	GREASE, CALLPER AXLE 99000-25110	1		\$12.95

[\(close window\)](#)

Bell's Suzuki
 667 New Circle Road
 Lexington, KY 40505
 (859) 299-3521
www.bellssuzuki.com

1996 SUZUKI
DR200SE 1996-2000
 October 27, 2005
 (prices subject to change without notice)



(close window)

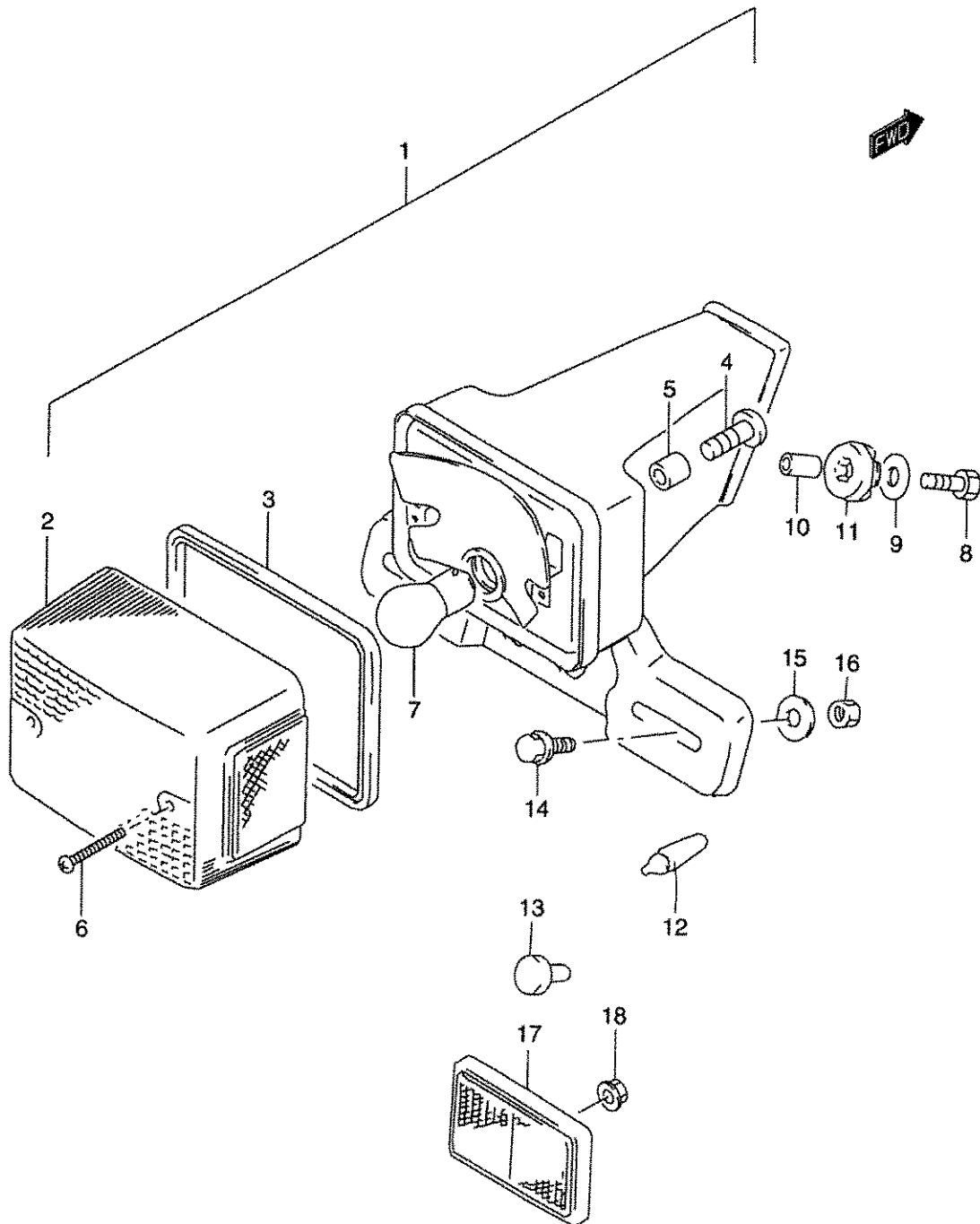
Bell's Suzuki
667 New Circle Road
Lexington, KY 40505
(859) 299-3521
www.bellssuzuki.com

**1996 SUZUKI
DR200SE 1996-2000
REAR COMBINATION LAMP**



October 27, 2005

FIG.23



REF#	PART	#REQ	REMARKS	YOUR PRICE
1	LAMP ASSY, NEAR COMBINATION 35710-42A30	1		\$68.17
2	.LENS 35712-42A30	1		\$27.05
3	.GASKET, LENS 35713-14D30	1		\$3.37
4	SCREW, BODY COVER UPPER 09125-06055	2		\$1.07
5	.SPACER 35766-14D30	2		\$1.89
6	SCREW, HEADLAMP ADJUST 09125-04501	2		\$1.48
7	.BULB (12V,21/5W) 09471-12128	1		\$1.19
8	BOLT 01500-06203	2		\$0.63
9-1	WASHER (6.5X18X1.60) 09160-06109	6		\$0.94
9-2	WASHER (6.5X18X1.60) 09160-06109	6		\$0.94
10-1	SPACER, FRONT (6.5X10X13) 09180-06291	4		\$1.00
10-2	SPACER, FRONT (6.5X10X13) 09180-06291	4		\$1.00
11	CUSHION 09320-09015	4		\$1.33
12	CUSHION 09321-06030	1		\$1.48
13	CUSHION 09321-06026	1		\$1.33
14	BOLT 01500-06303	2		\$1.04
15-1	WASHER (6.5X18X1.60) 09160-06109	2		\$0.94
15-2	WASHER (6.5X18X1.60) 09160-06109	2		\$0.94
16	NUT 08310-00063	2		\$0.89
17	REFLECTOR ASSY, NEAR 35970-38E00	1		\$8.50
18	NUT 08316-10053	1		\$1.04

(close window)

Bell's Suzuki
667 New Circle Road
Lexington, KY 40505
(859) 299-3521
www.bellsuzuki.com

1996 SUZUKI
DR200SE 1996-2000
October 27, 2005
(prices subject to change without notice)



(close window)

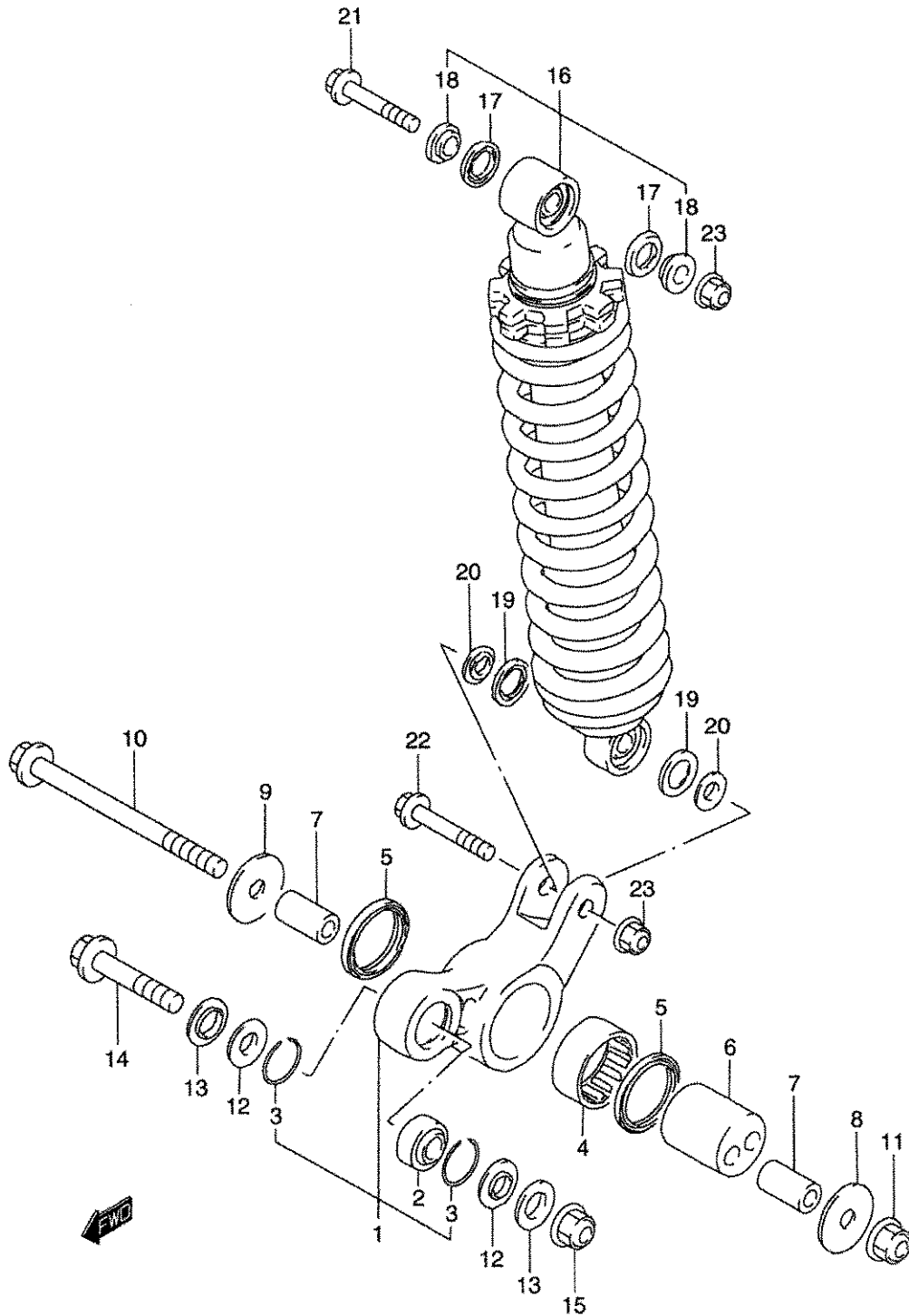
Bell's Suzuki
667 New Circle Road
Lexington, KY 40505
(859) 299-3521
www.bellssuzuki.com

**1996 SUZUKI
DR200SE 1996-2000
REAR CUSHION LEVER**

October 27, 2005



FIG.46



REF#	PART	#REQ	REMARKS	YOUR PRICE
1	LEVER SET, REAR CUSHION 62600-42812	1		\$155.81
2	.BEARING, FRONT 09269-12006	1		\$29.60
3	.RING, STOPPER REAR 62277-27C20	2		\$1.60
4	.BEARING, CENTER 09263-37003	1		\$20.24
5	DUST SEAL 62624-42A00	2		\$4.14
6	SPACER 62623-42A11	1		\$41.09
7	SPACER 62646-42A11	2		\$8.50
8	WASHER, LEVER UPPER 62628-42AA0	1		\$3.47
9	WASHER, REAR CUSHION LEVER 62625-42AA0	1		\$3.47
10	SHAFT, REAR CUSHION LEVER 62621-42AA0	1		\$14.45
11	NUT 08319-21128	1		\$1.89
12	DUST SEAL 62647-05A00	2		\$1.37
13	SPACER, FRONT 62316-05A01	2		\$5.10
14	BOLT, LEVER CENTER (12X62) 62668-42A02	1		\$4.55
15	NUT 08319-31128	1		\$1.48
16-1	ABSORBER ASSY,R 62100-44AB2-1TS	1		\$454.53
16-2	ABSORBER ASSY, REAR SHOCK 62100-44AB2-019	1		\$454.53
17	.SEAL, DUST 62226-20900	2		\$5.44
18	.COLLAR 62684-20900	2		\$5.10
19	.DUST SEAL 62226-02B00	2		\$5.44
20	.COLLAR, LOWER 62684-31300	2		\$5.10
21	BOLT, ROD LH (10X58) 62311-14501	1		\$2.29
22	BOLT, LOWER (10X48) 09103-10126	1		\$2.22
23	NUT 08319-31107	2		\$1.33

[\(close window\)](#)

Bell's Suzuki
 667 New Circle Road
 Lexington, KY 40505
 (859) 299-3521
 www.bellssuzuki.com

1996 SUZUKI
DR200SE 1996-2000
 October 27, 2005
 (prices subject to change without notice)



(close window)

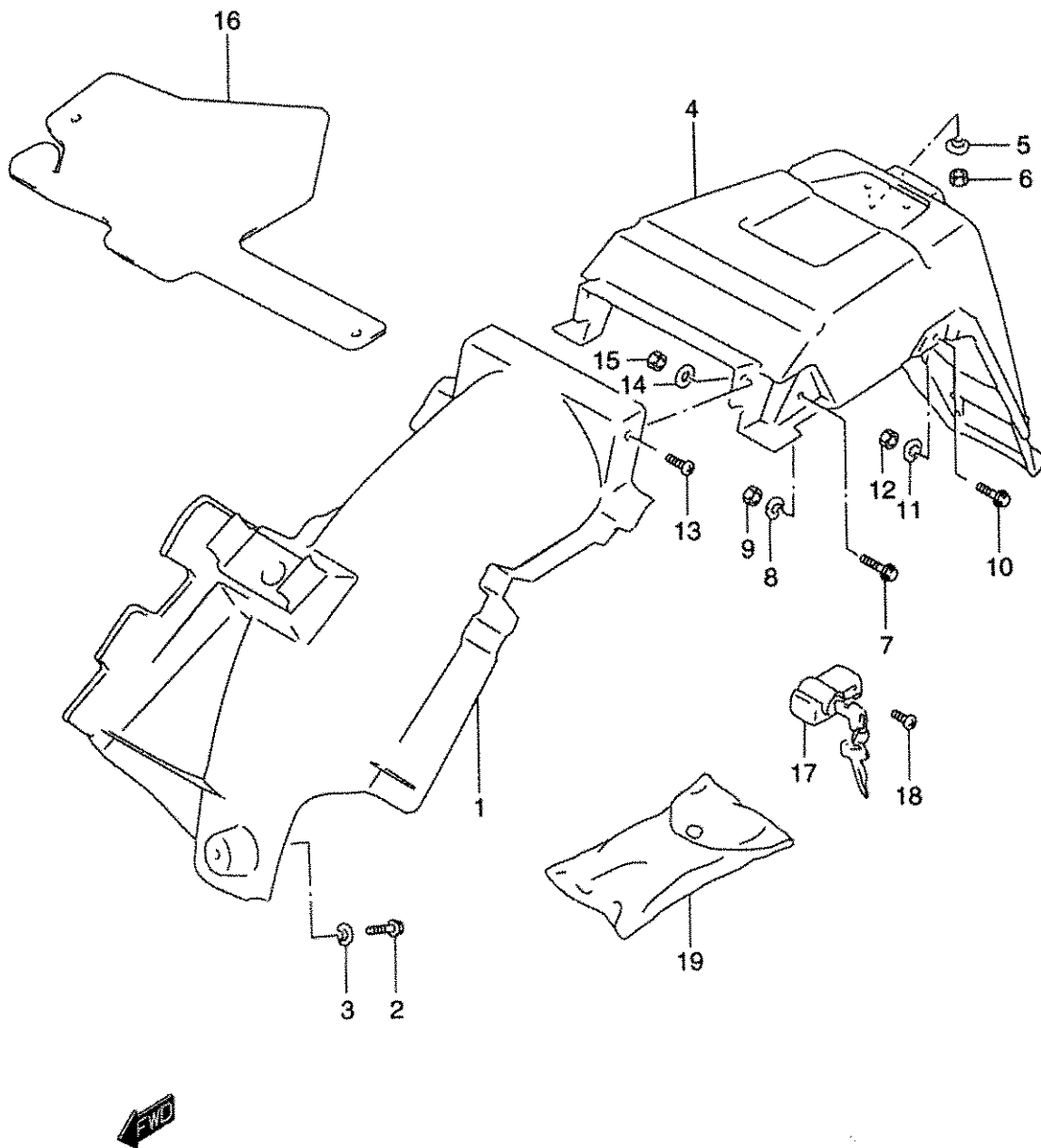
Bell's Suzuki
667 New Circle Road
Lexington, KY 40505
(859) 299-3521
www.bellssuzuki.com

**1996 SUZUKI
DR200SE 1996-2000
REAR FENDER**



October 27, 2005

FIG.36



REF#	PART	#REQ	REMARKS	YOUR PRICE
1	BODY, REAR FENDER FRONT 63110-44AA0	1		\$49.86
2	BOLT 01550-06123	1		\$0.97
3	WASHER 09169-06010	1		\$1.22
4	BODY ASSY, REAR FENDER (WHITE 63100-44AC0-30H	1		\$94.96
5	WASHER 09169-06055	2		\$0.97
6	NUT 08319-31067	2		\$1.00
7	BOLT 09106-08120	2		\$1.44
8	WASHER 09169-08037	2		\$1.70
9	NUT 08310-00083	2		\$0.89
10	BOLT 01550-06203	2		\$0.97
11	WASHER 09169-06055	2		\$0.97
12	NUT 08319-31067	2		\$1.00
13	SCREW 02142-06163	2		\$0.24
14-1	WASHER, OUTER 09160-06084	2		\$0.82
14-2	WASHER, OUTER 09160-06084	2		\$0.82
14-3	WASHER, OUTER 09160-06084	2		\$0.82
15	NUT 08319-31067	2		\$1.00
16	MUD FLAP, REAR FENDER FRONT 63411-44AA0	1		\$25.43
17	LOCK SET, HELMET 95700-44810	1		\$51.86
18	SCREW 09139-06089	1		\$1.22
19	TOOL SET 09800-21022	1		\$26.42

[\(close window\)](#)

Bell's Suzuki
 667 New Circle Road
 Lexington, KY 40505
 (859) 299-3521
www.bellssuzuki.com

1996 SUZUKI
DR200SE 1996-2000
 October 27, 2005
 (prices subject to change without notice)



Bell's Suzuki
667 New Circle Road
Lexington, KY 40505
(859) 299-3521
www.bellssuzuki.com

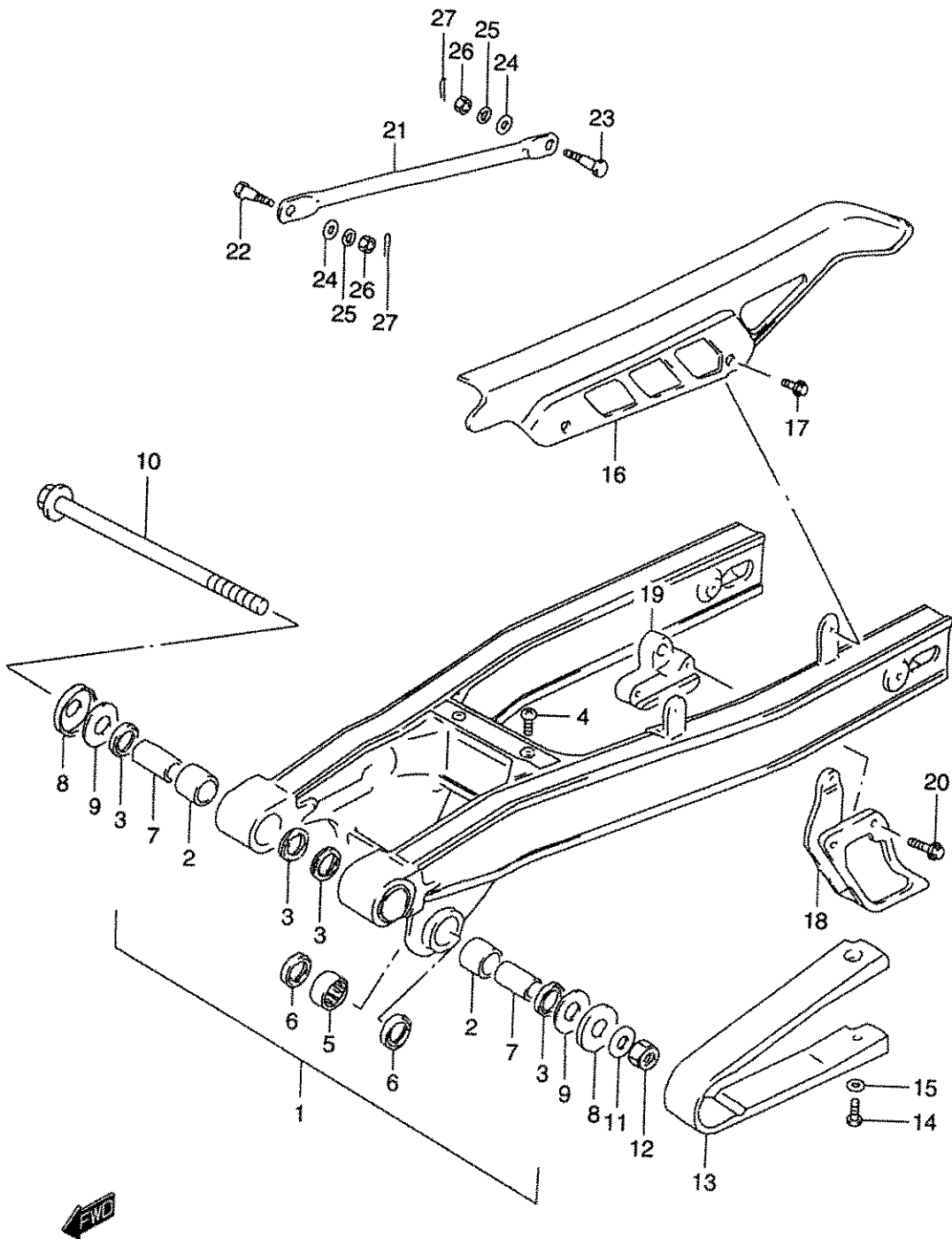
(close window)

**1996 SUZUKI
DR200SE 1996-2000
REAR SWINGING ARM**



October 27, 2005

FIG.45



REF#	PART	#REQ	REMARKS	YOUR PRICE
1-1	SWINGING ARM SET, REAR 61100-42840	1		\$554.79
1-2	SWINGING ARM SET, REAR 61100-42840	1		\$554.79
2	.BUSHING 61261-13700	2		\$7.95
3	OIL SEAL 09283-20031	4		\$2.62
4	SCREW 02142-06163	2		\$0.24
5	.BEARING 09263-20053	2		\$11.70
6	.DUST SEAL 62647-44A00	4		\$3.00
7	SPACER, PIVOT L 61251-42A00	2		\$9.57
8	COVER 61262-40400	2		\$4.14
9	THRUST WASHER 08211-14322	2		\$1.44
10	SHAFT, PIVOT 61211-26B01	1		\$16.74
11-1	WASHER, REAR AXLE 09160-14027	1		\$1.00
11-2	WASHER 09160-14057	1		\$1.22
12	NUT 09159-14019	1		\$5.88
13	BUFFER, CHAIN TOUCH DEFENSE 61273-42A01	1		\$15.71
14	.SCREW 02142-06203	2		\$0.63
15	WASHER 09169-06037	2		\$1.00
16	CASE, CHAIN 61311-01A03	1		\$33.56
17	SCREW, CHAIN CASE 09116-06096	2		\$1.07
18	GUIDE, CHAIN 61341-13A00	1		\$14.23
19	RUBBER, CHAIN GUIDE 61345-42A00	1		\$6.99
20	BOLT 01550-06203	3		\$0.97
21	TORQUE LINK, REAR (SILVER) 64311-42A00-13L	1		\$9.57
22	BOLT 09119-08088	1		\$2.62
23	BOLT, REAR 09111-08013	1		\$1.44
24	WASHER 08322-01083	2		\$0.89
25	LOCK WASHER 09162-08008	2		\$0.97
26	.NUT 09140-08008	2		\$0.67
27	.COTTER PIN 04111-20208	2		\$0.59

(close window)

Bell's Suzuki
 667 New Circle Road
 Lexington, KY 40505
 (859) 299-3521
 www.bellssuzuki.com

1996 SUZUKI
DR200SE 1996-2000
 October 27, 2005
 (prices subject to change without notice)



print

(close window)

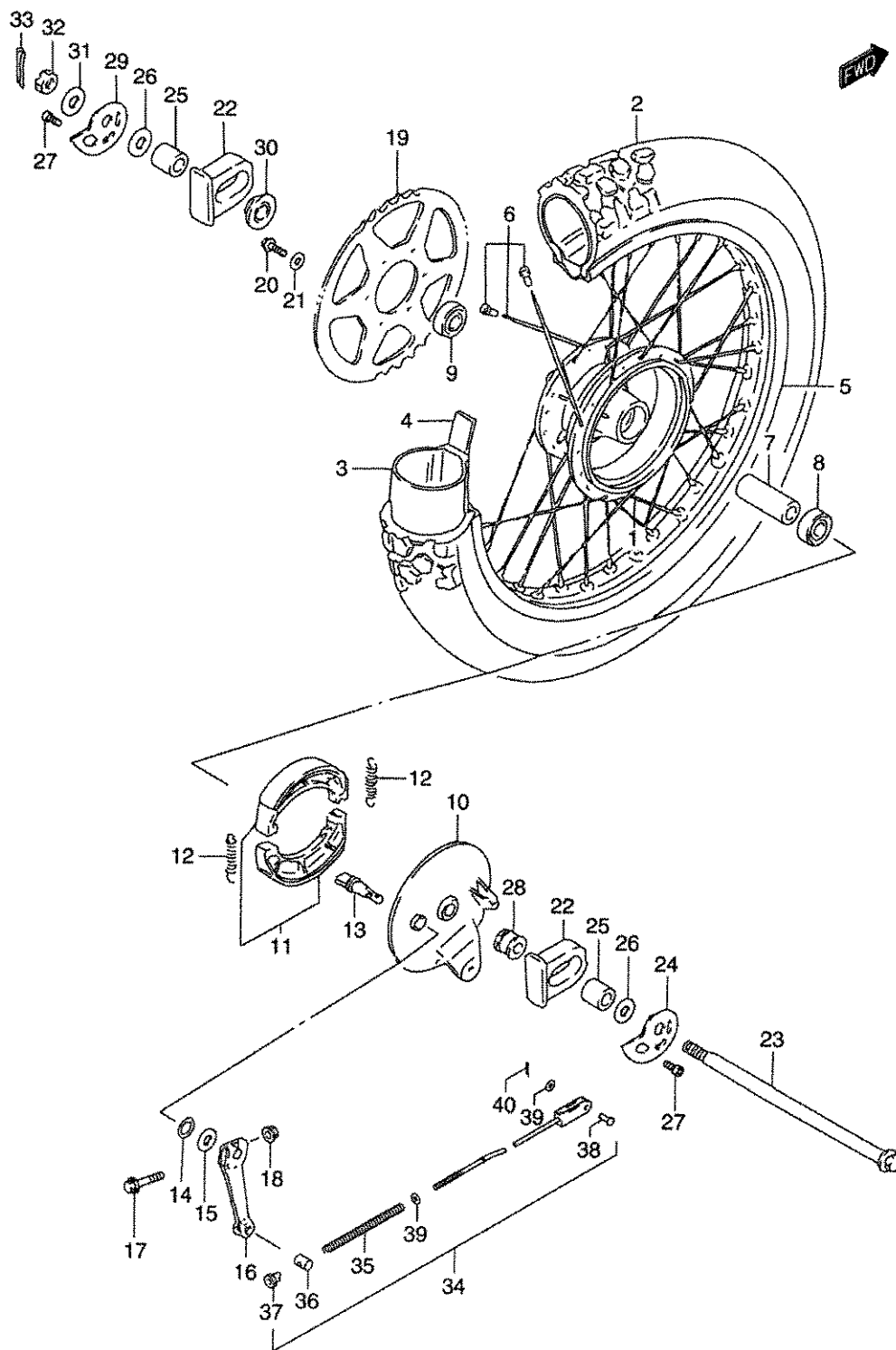
Bell's Suzuki
667 New Circle Road
Lexington, KY 40505
(859) 299-3521
www.bellssuzuki.com

**1996 SUZUKI
DR200SE 1996-2000
REAR WHEEL**



October 27, 2005

FIG.47



REF#	PART	#REQ	REMARKS	YOUR PRICE
1	HUB, REAR WHEEL (SILVER) 64110-44A10	1		\$206.78
2	TIRE, REAR (100/90-18 56P) 65110-42AA0	1		\$90.28
3	TUBE ASSY, WHEEL INNER 65200-42AA0	1		\$25.69
4	PROTECTOR 65261-33030	1		\$2.22
5	RIM, REAR WHEEL (18X2.15) 65311-42AA0	1		\$187.83
6	SPOKE ASSY, REAR WHEEL 65320-42AA0	1		\$41.09
7	SPACER, HUB BEARING 09180-15013	1		\$5.44
8	BEARING, LH 08143-62027	1		\$8.27
9	B1 15X42X13 BEA 08123C63027J000	1		\$16.26
10	PANEL, REAR BRAKE ANCHOR 64210-44A00	1		\$81.01
11	SHOE SET, BRAKE 54400-07870	1		\$27.37
12	.SPRING 09443-07025	2		\$0.92
13	CAME, BRAKE 54441-29305	1		\$8.65
14	O RING 09280-14011	1		\$2.37
15	WASHER (14.5X22X1.6) 09160-14055	1		\$1.22
16	LEVER, BRAKE CAM 64451-30501	1		\$10.57
17	BOLT 01550-06403	1		\$1.11
18	NUT 08316-10063	1		\$1.06
19	SPROCKET, REAR (NT:45) 64511-42A01	1		\$29.40
20	BOLT 09103-08048	6		\$2.04
21	WASHER 09164-08020	6		\$1.00
22	CAP 61470-42A00	2		\$6.40
23	AXLE, REAR 64711-44A11	1		\$20.96
24	ADJUSTER, CHAIN RH 61411-42A00	1		\$5.44
25	SPACER 61413-42A00	2		\$4.14
26	WASHER 09160-15039	2		\$0.82
27	BOLT 61431-42A10	2		\$3.00
28	SPACER, AXLE RH 64741-42A00	1		\$5.44
29	ADJUSTER, CHAIN LH 61421-42A00	1		\$5.44
30	SPACER, AXLE LH 64750-42A00	1		\$5.44
31	WASHER 09160-14033	1		\$0.97
32	NUT 08314-40143	1		\$1.89
33	COTTER PIN 04111-30308	1		\$0.63
34	ROD ASSY, REAR BRAKE 43300-42A02	1		\$10.05
35	.SPRING 09440-09004	1		\$0.92
36	.PIN 09209-13018	1		\$1.70
37	.NUT 09150-06014	1		\$1.48
38	.PIN 09200-06013	1		\$0.92
39	WASHER 08322-01063	2		\$0.89
40	.COTTER PIN 04111-20208	1		\$0.59

[\(close window\)](#)

Bell's Suzuki
667 New Circle Road
Lexington, KY 40505
(859) 299-3521
www.bellssuzuki.com

1996 SUZUKI
DR200SE 1996-2000
October 27, 2005
(prices subject to change without notice)



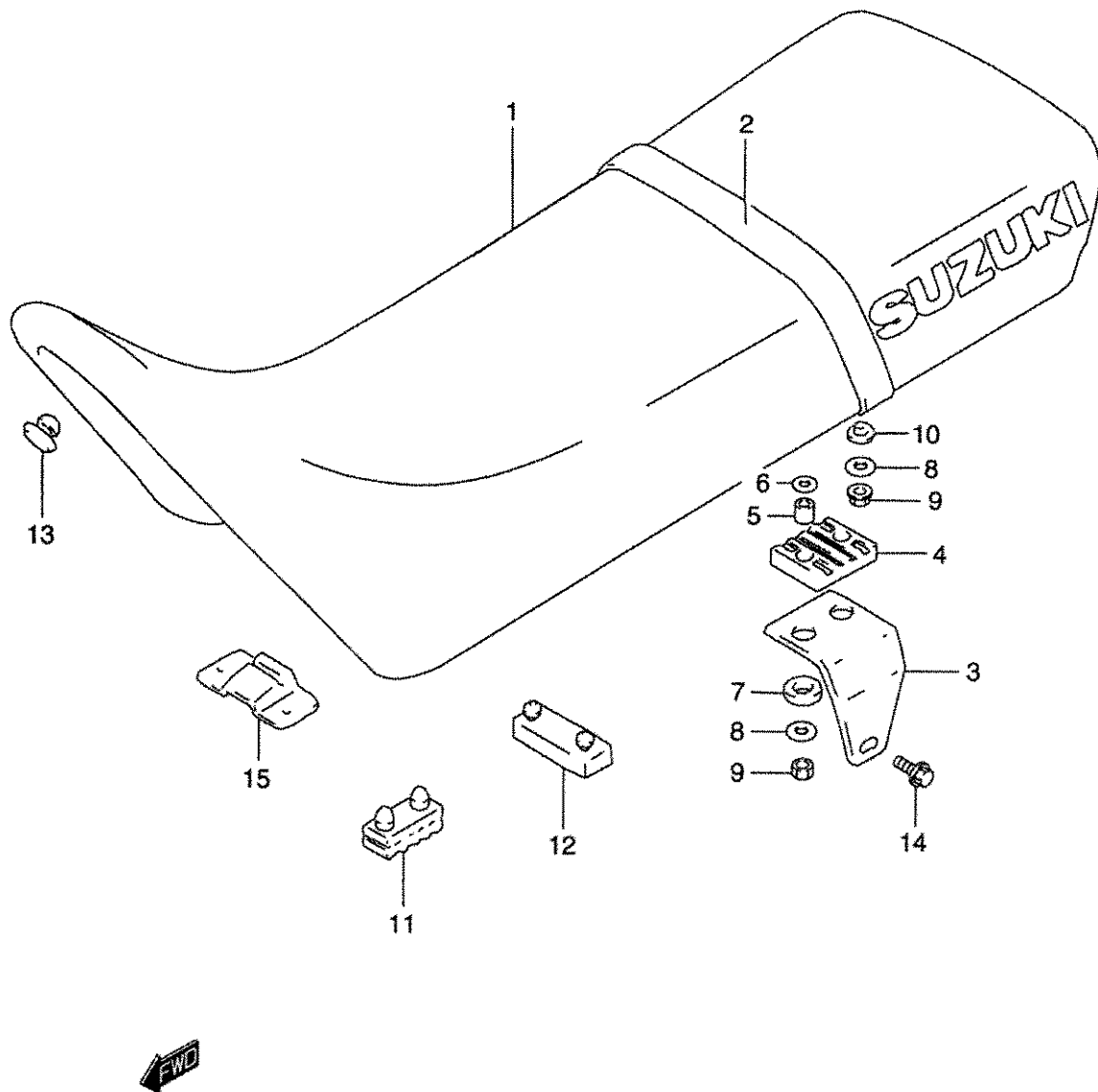
Bell's Suzuki
667 New Circle Road
Lexington, KY 40505
(859) 299-3521
www.bellssuzuki.com

(close window)

**1996 SUZUKI
DR200SE 1996-2000
SEAT (MODEL T/V/W)**
October 27, 2005



FIG.39



REF#	PART	#REQ	REMARKS	YOUR PRICE
1	SEAT SET (SEAT PURPLE) 45100-42AA1-E5J	1		\$241.25
2	.BAND, SEAT (PURPLE) 45180-42AA0-R32	1		\$12.75
3	.BRACKET, SEAT 45117-42AA1	2		\$5.92
4	.CUSHION, UPPER 45150-23450	2		\$2.62
5	.SPACER 45219-44B00	4		\$1.48
6	WASHER 08322-01063	4		\$0.89
7	.CUSHION 45147-23450	4		\$0.97
8	WASHER 08212-06201	6		\$0.67
9	NUT 08316-10063	6		\$1.06
10	WASHER 09169-06071	2		\$1.22
11	.CUSHION 45149-31300	4		\$1.85
12	.CUSHION 45149-43500	1		\$3.00
13	.CUSHION, FRONT 09329-10001	1		\$0.97
14	BOLT, REAR 01550-08123	2		\$1.11
15	PLATE, SEAT HOOK 45119-42A00	1		\$2.77

[\(close window\)](#)

Bell's Suzuki
667 New Circle Road
Lexington, KY 40505
(859) 299-3521
www.bellssuzuki.com

1996 SUZUKI
DR200SE 1996-2000
October 27, 2005
(prices subject to change without notice)



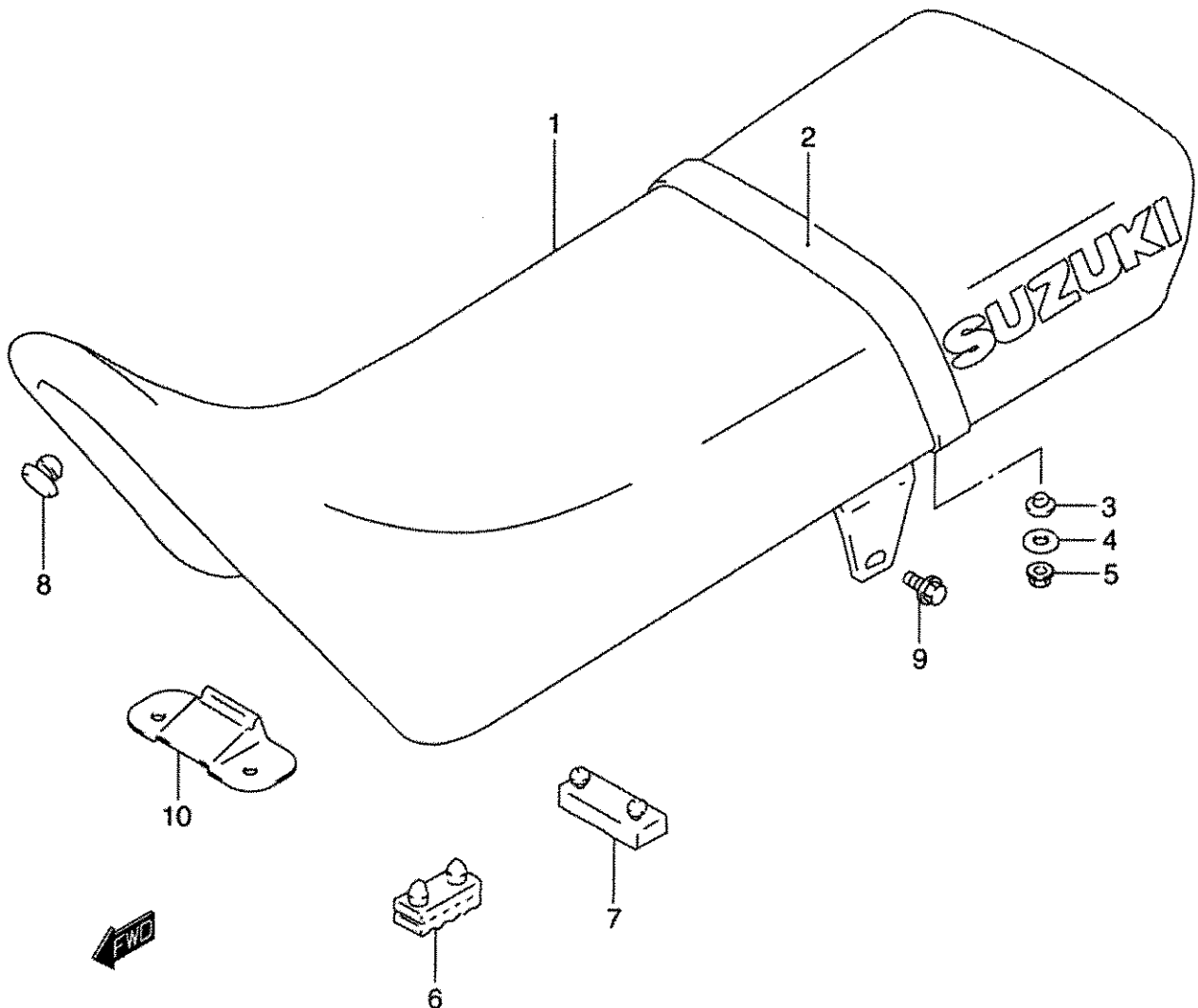
Bell's Suzuki
667 New Circle Road
Lexington, KY 40505
(859) 299-3521
www.bellssuzuki.com

(close window)

**1996 SUZUKI
DR200SE 1996-2000
SEAT (MODEL X/Y)**
October 27, 2005



FIG.39A



REF#	PART	#REQ	REMARKS	YOUR PRICE
1-1	SEAT SET (SEAT BLACK/BLUE) 45100-42AG0-L3M	1		\$241.25
1-2	SEAT SET (SEAT BLACK/BLUE) 45100-42AC0-N9K	1		\$239.52
2-1	.BAND, SEAT (BLACK) 45180-42AA0-U82	1		\$12.60
2-2	.BAND, SEAT (BLACK) 45180-42AA0-P21	1		\$12.60
3	WASHER 09169-06071	2		\$1.22
4	WASHER 08212-06201	2		\$0.67
5	NUT 08316-20063	2		\$1.04
6	.CUSHION 45149-31300	4		\$1.85
7	.CUSHION 45149-43500	1		\$3.00
8	.CUSHION, FRONT 09329-10001	1		\$0.97
9	BOLT, REAR 01550-08123	2		\$1.11
10	PLATE, SEAT HOOK 45119-42A00	1		\$2.77

[\(close window\)](#)

Bell's Suzuki
667 New Circle Road
Lexington, KY 40505
(859) 299-3521
www.bellssuzuki.com

1996 SUZUKI
DR200SE 1996-2000
October 27, 2005
(prices subject to change without notice)



(close window)

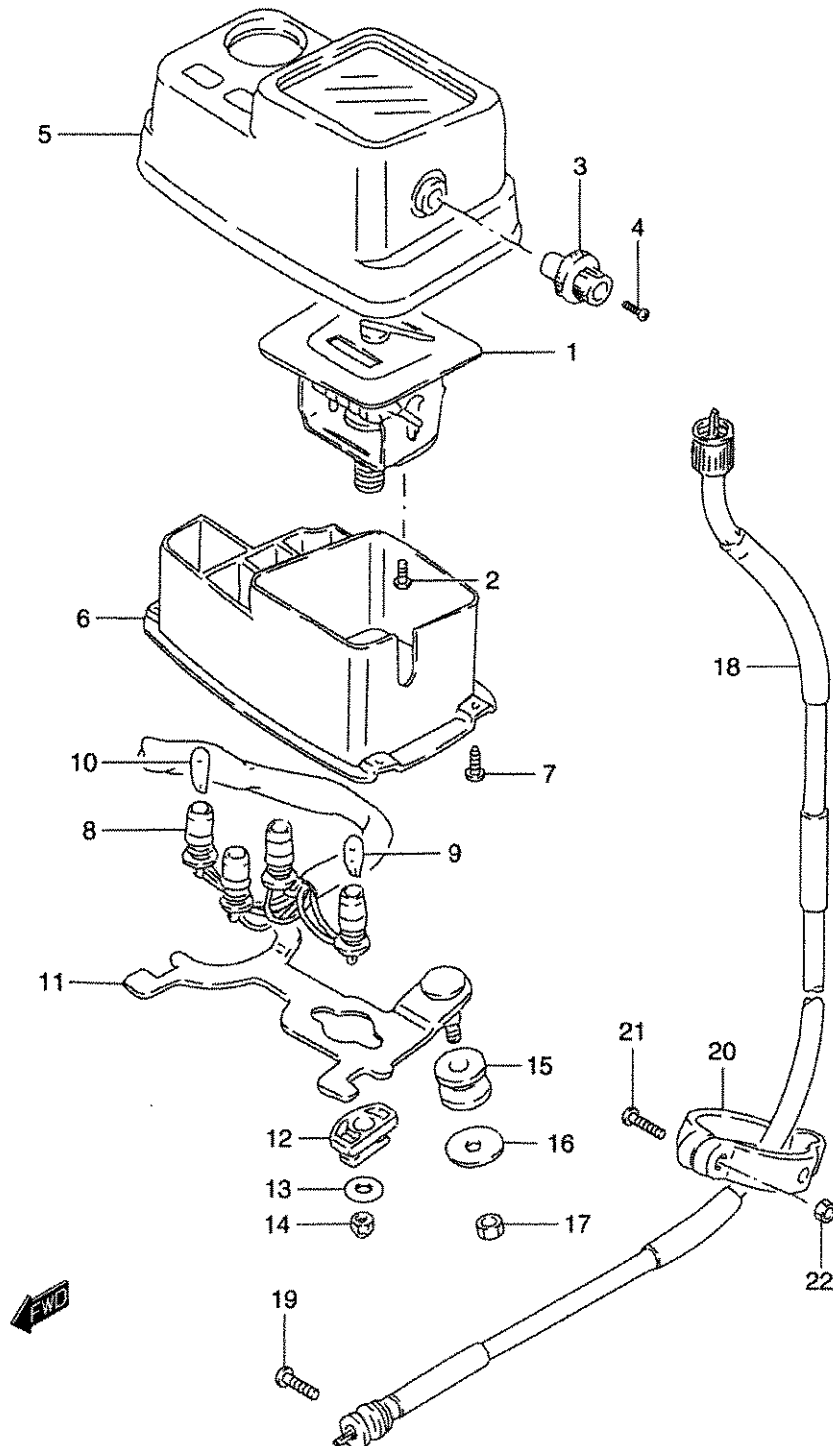
Bell's Suzuki
667 New Circle Road
Lexington, KY 40505
(859) 299-3521
www.bellssuzuki.com

**1996 SUZUKI
DR200SE 1996-2000
SPEEDOMETER**



October 27, 2005

FIG.20



REF#	PART	#REQ	REMARKS	YOUR PRICE
1-1	SPEEDOMETER (MILE/KILO) 34120-44AB0	1		\$155.04
2	.SCREW 02112-74123	2		\$1.00
3	KNOB, TRIP 34124-14A10	1		\$3.81
4	SCREW (2X6) 09139-02003	1		\$0.62
5-1	HOOD, METER 34150-44AE0	1		\$31.93
5-2	HOOD, METER 34150-44AD0	1		\$31.93
6	CASE, METER 34111-14A10	1		\$16.82
7	SCREW (4X14) 34184-12B00	4		\$1.00
8	SOCKET ASSY 34173-44A90	1		\$30.09
9	BULB (12V, 3.4W) 09471-12028	3		\$1.04
10	BULB (12V, 1.7W) 09471-12077	1		\$1.85
11	BRACKET, METER 34950-44A00	1		\$36.12
12	CUSHION 34189-14A10	2		\$2.22
13-1	WASHER 09160-05043	2		\$1.04
13-2	WASHER 09160-05043	2		\$1.04
14	NUT 08310-00057	2		\$0.87
15	CUSHION 34956-15100	2		\$1.85
16-1	WASHER, OUTER 09160-06084	2		\$0.82
16-2	WASHER, OUTER 09160-06084	2		\$0.82
16-3	WASHER, OUTER 09160-06084	2		\$0.82
17	NUT 08310-00063	2		\$0.89
18	CABLE ASSY, SPEEDOMETER 34910-44A20	1		\$17.70
19	SCREW 02112-05163	1		\$0.67
20	CLAMP, CABLE 34938-01A00	1		\$4.56
21	SCREW 02112-05163	1		\$0.67
22	NUT 08310-00053	1		\$0.86

[\(close window\)](#)

Bell's Suzuki
 667 New Circle Road
 Lexington, KY 40505
 (859) 299-3521
 www.bellssuzuki.com

1996 SUZUKI
DR200SE 1996-2000
 October 27, 2005
 (prices subject to change without notice)



[\(close window\)](#)

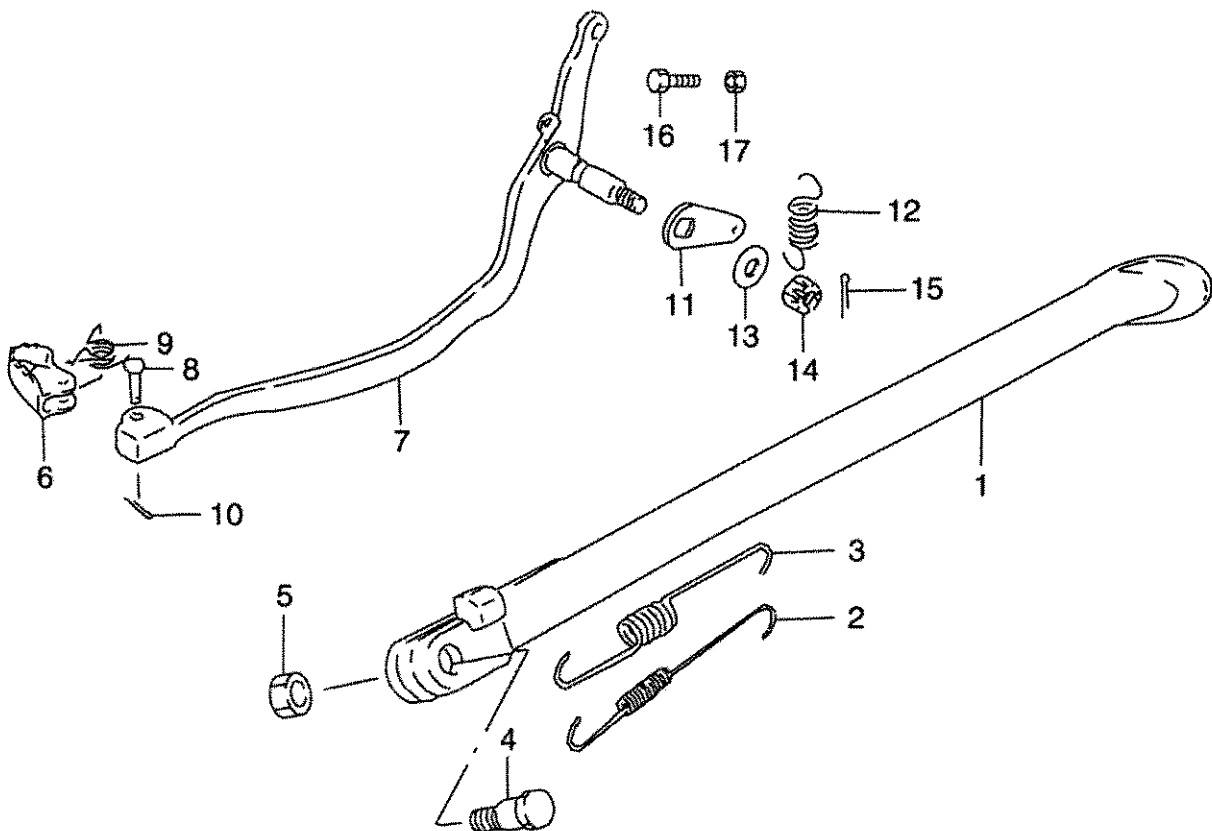
Bell's Suzuki
667 New Circle Road
Lexington, KY 40505
(859) 299-3521
www.bellssuzuki.com

**1996 SUZUKI
DR200SE 1996-2000
STAND**



October 27, 2005

FIG.27



REF#	PART	#REQ	REMARKS	YOUR PRICE
1-1	STAND, PROP (BLACK) 42310-44A33-019	1		\$37.50
1-2	STAND, PROP (BLACK) 42310-44A33-019	1		\$37.50
2	SPRING 09443-12035	1		\$3.92
3	SPRING 09443-20003	1		\$6.99
4	BOLT (10x30) 09111-10019	1		\$1.44
5	NUT 09159-10097	1		\$2.81
6	PEDAL, BRAKE 43110-14130	1		\$6.85
7	ARM, BRAKE PEDAL 43120-44A12	1		\$31.30
8	PIN 09200-06038	1		\$0.97
9	SPRING 09444-11005	1		\$1.33
10	COTTER PIN 04111-20158	1		\$0.59
11	ARM, BRAKE PEDAL RETURN 43128-38200	1		\$1.37
12	SPRING 09443-14002	1		\$1.00
13	WASHER 08211-08202	1		\$1.00
14	NUT 08314-40083	1		\$1.04
15	COTTER PIN 04111-20208	1		\$0.59
16	BOLT 09100-06009	1		\$0.74
17	NUT 08310-00063	1		\$0.89

[\(close window\)](#)

Bell's Suzuki
667 New Circle Road
Lexington, KY 40505
(859) 299-3521
www.bellssuzuki.com

1996 SUZUKI
DR200SE 1996-2000
October 27, 2005
(prices subject to change without notice)



print

[\(close window\)](#)

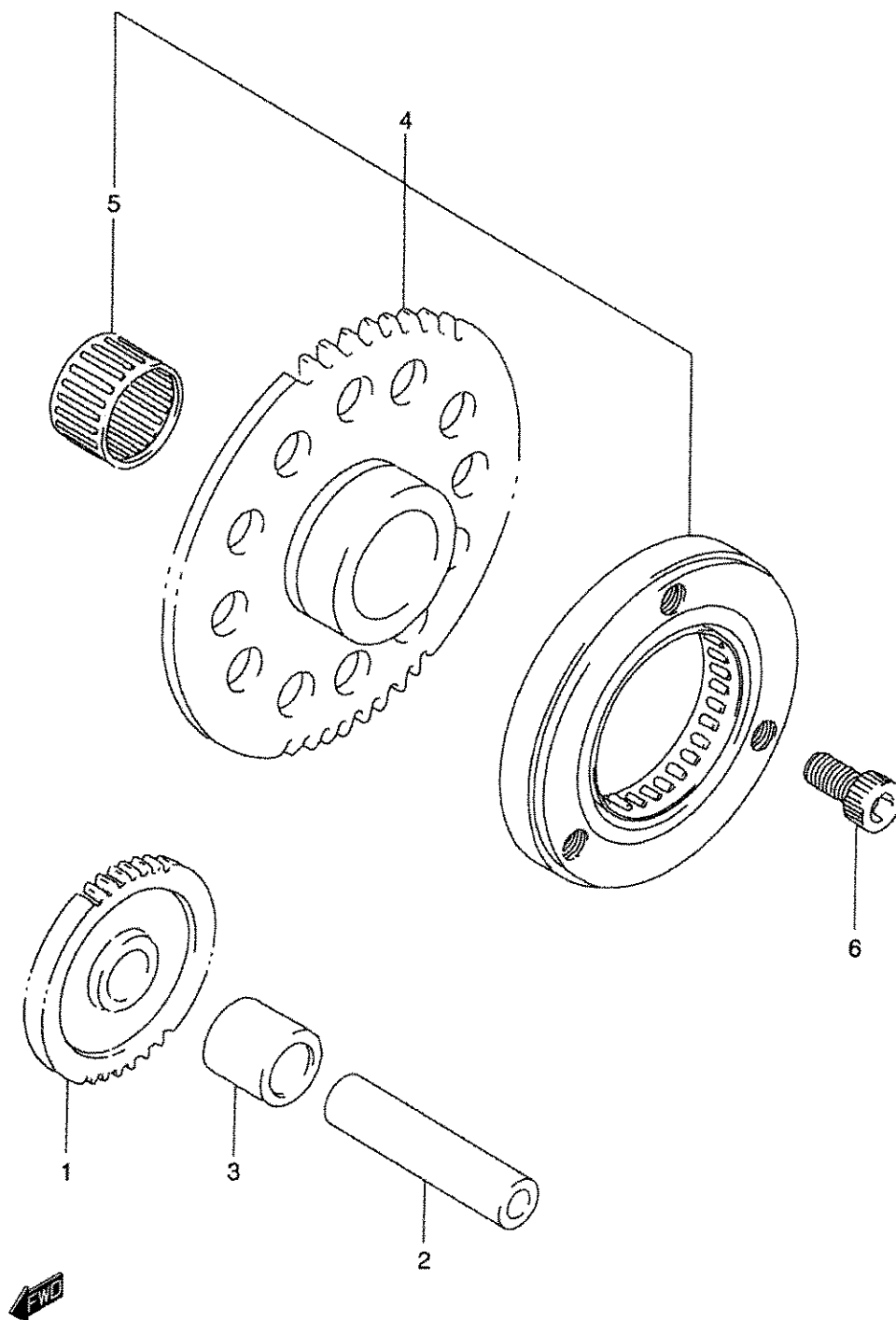
Bell's Suzuki
667 New Circle Road
Lexington, KY 40505
(859) 299-3521
www.bellssuzuki.com

**1996 SUZUKI
DR200SE 1996-2000
STARTER CLUTCH**

October 27, 2005



FIG.6



REF#	PART	#REQ	REMARKS	YOUR PRICE
1	GEAR, STARTER IDLE (NT:44/15) 12611-42A01	1		\$31.93
2	PIN 09206-13003	1		\$6.40
3	SPACER 09180-13006	1		\$1.92
4-1	CLUTCH SET, STARTER 12600-35843	1		\$172.09
4-2	CLUTCH SET, STARTER 12600-35843	1		\$172.09
5	.BEARING (22X28X16) 09263-22031	1		\$12.92
6	BOLT 07130-08163	3		\$1.44

[\(close window\)](#)

Bell's Suzuki
 667 New Circle Road
 Lexington, KY 40505
 (859) 299-3521
 www.bellssuzuki.com

1996 SUZUKI
DR200SE 1996-2000
 October 27, 2005
 (prices subject to change without notice)



print

(close window)

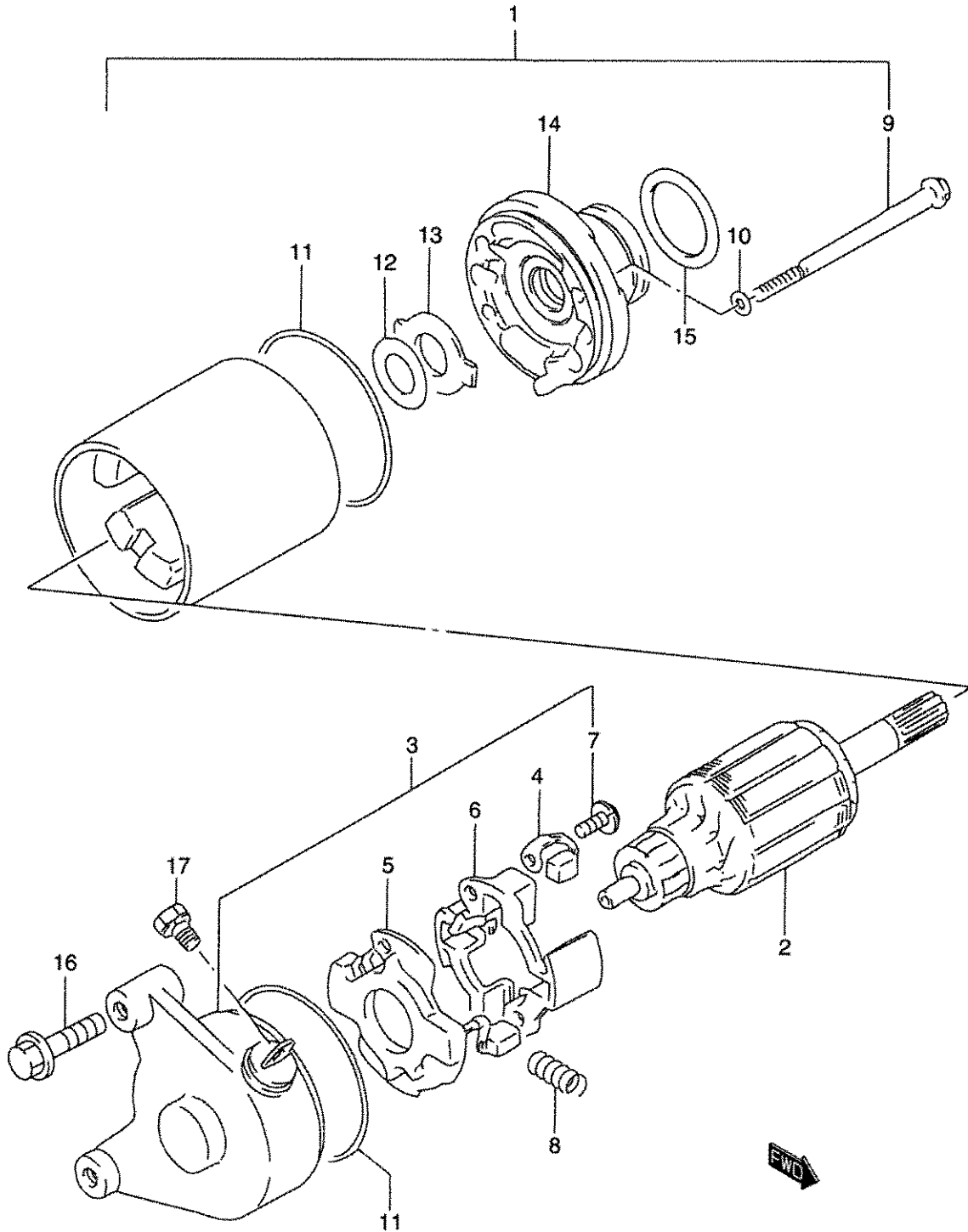
Bell's Suzuki
667 New Circle Road
Lexington, KY 40505
(859) 299-3521
www.bellssuzuki.com

**1996 SUZUKI
DR200SE 1996-2000
STARTING MOTOR**



October 27, 2005

FIG. 16



REF#	PART	#REQ	REMARKS	YOUR PRICE
1	MOTOR ASSY, STARTING 31100-42A01	1		\$286.19
2	.ARMATURE 31310-11D00	1		\$125.97
3	.FRAME ASSY, COMMUTATOR,END 31175-42A01	1		\$60.23
4	.BRUSH 31132-32C10	2		\$9.06
5	.BRUSH SUB ASSY, STARTER 31130-32C20	1		\$18.52
6	.HOLDER, BRUSH 31133-32C10	1		\$5.88
7	.SCREW 02112-34123	2		\$0.92
8	.SPRING 31135-32C10	4		\$2.29
9	.BOLT 31281-32C10	2		\$5.44
10	.O RING 31156-38300	2		\$1.85
11	.O RING 31264-32C10	2		\$5.88
12	.SHIM 31361-38300	1		\$0.97
13	.PLATE 31361-32C10	1		\$1.48
14	.BRACKET 31150-42A01	1		\$57.44
15	O RING 09280-24003	1		\$0.70
16	BOLT 01547-06303	2		\$1.11
17	SCREW, STARTING MOTOR (5X8) 09137-05004	1		\$0.92

[\(close window\)](#)

Bell's Suzuki
 667 New Circle Road
 Lexington, KY 40505
 (859) 299-3521
 www.bellssuzuki.com

1996 SUZUKI
DR200SE 1996-2000
 October 27, 2005
 (prices subject to change without notice)



(close window)

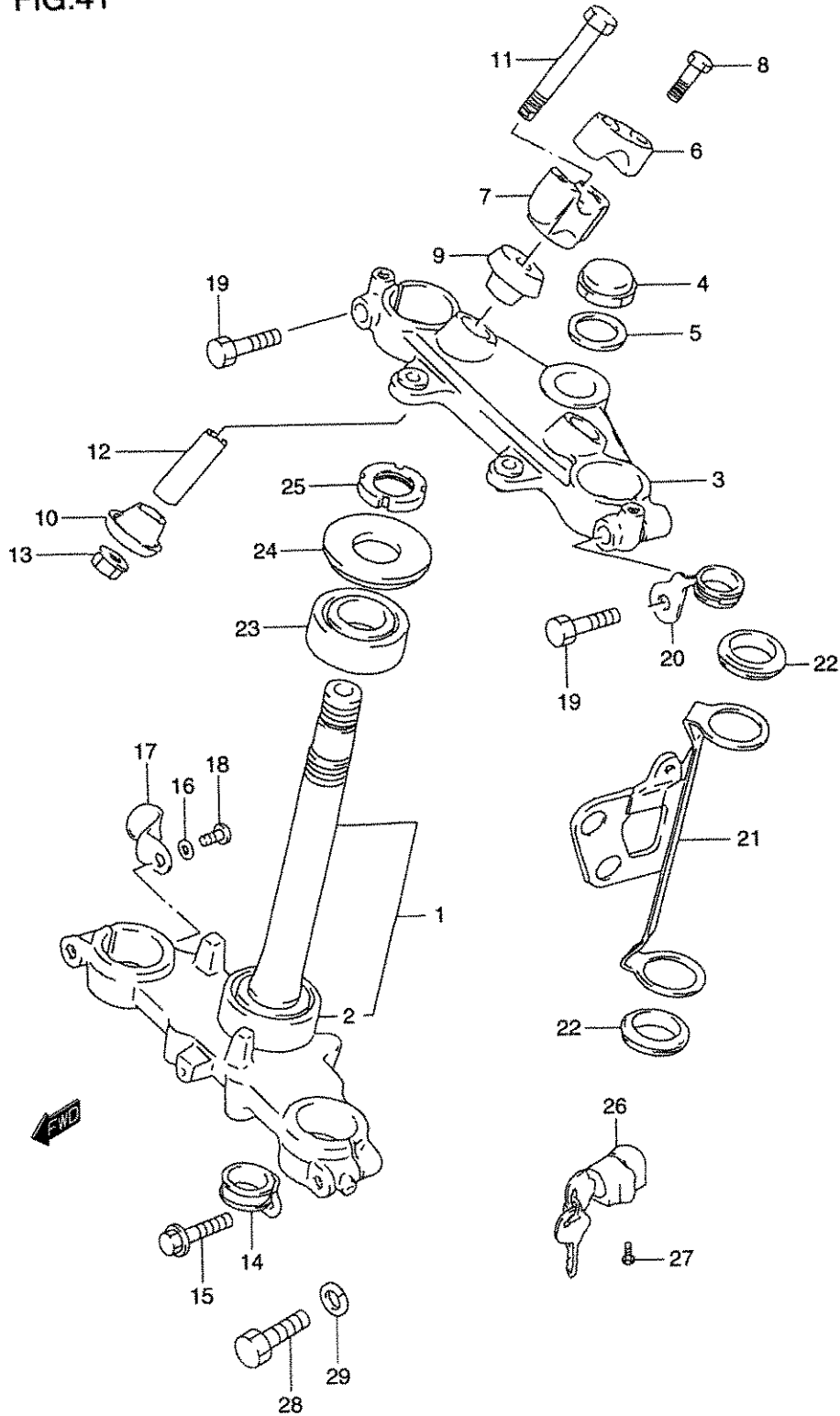
Bell's Suzuki
667 New Circle Road
Lexington, KY 40505
(859) 299-3521
www.bellssuzuki.com

**1996 SUZUKI
DR200SE 1996-2000
STEERING STEM**



October 27, 2005

FIG.41



REF#	PART	#REQ	REMARKS	YOUR PRICE
1-1	STEM, STEERING (BLACK) 51410-42AB0	1		\$218.84
1-2	STEM, STEERING (BLACK) 51410-42AB0	1		\$218.84
2	.BEARING (30X55X17) 09265-30009	1		\$31.93
3	HEAD, STEERING STEM (BLACK) 51311-44AA0-291	1		\$142.25
4	NUT 51353-24B00	1		\$13.72
5	WASHER 51354-14D00	1		\$5.88
6	CLAMP, HANDLEBAR UPPER 56211-27200-291	2		\$7.72
7	HOLDER, HANDLE LOWER (BLACK) 56221-42A00-291	2		\$18.85
8	BOLT 01550-08353	4		\$1.30
9	CUSHION, BRACKET 56240-42A00	2		\$18.41
10	CUSHION RUBBER, UNDER 56242-28C60	2		\$19.52
11-1	BOLT, LOWER HANDLE 56321-28C60	2		\$8.06
11-2	BOLT, HANDLE HOLDER 56321-27E00	2		\$5.80
12	SPACER 56243-42A00	2		\$3.55
13	NUT 08319-31107	2		\$1.33
14	CLIP 51452-42A00	1		\$6.99
15	BOLT 01550-10403	2		\$1.70
16	LOCK WASHER 08321-01067	1		\$0.87
17	CLIP 51452-05130	1		\$2.22
18	SCREW 02112-06087	1		\$0.67
19	BOLT 01550-10403	2		\$1.70
20	CLIP 51452-48700	1		\$5.88
21-1	BRACKET, HEADLAMP RH 51530-42A00	1		\$29.90
21-2	BRACKET, HEADLAMP LH 51540-42A00	1		\$29.90
22	CUSHION 51553-34280	4		\$2.22
23	BEARING (25X47X15) 09265-25019	1		\$24.58
24	DUST SEAL, UPPER 51643-01B10	1		\$4.55
25	NUT, STEERING 51631-08D30	1		\$7.72
26	LOCK SET, STEERING 51900-44810	1		\$36.12
27	SCREW 02112-35123	2		\$0.82
28	BOLT 51451-42A00	2		\$2.22
29	LOCK WASHER 08321-01103	2		\$0.89

(close window)

Bell's Suzuki
667 New Circle Road
Lexington, KY 40505
(859) 299-3521
www.bellssuzuki.com

1996 SUZUKI
DR200SE 1996-2000
October 27, 2005
(prices subject to change without notice)



print

(close window)

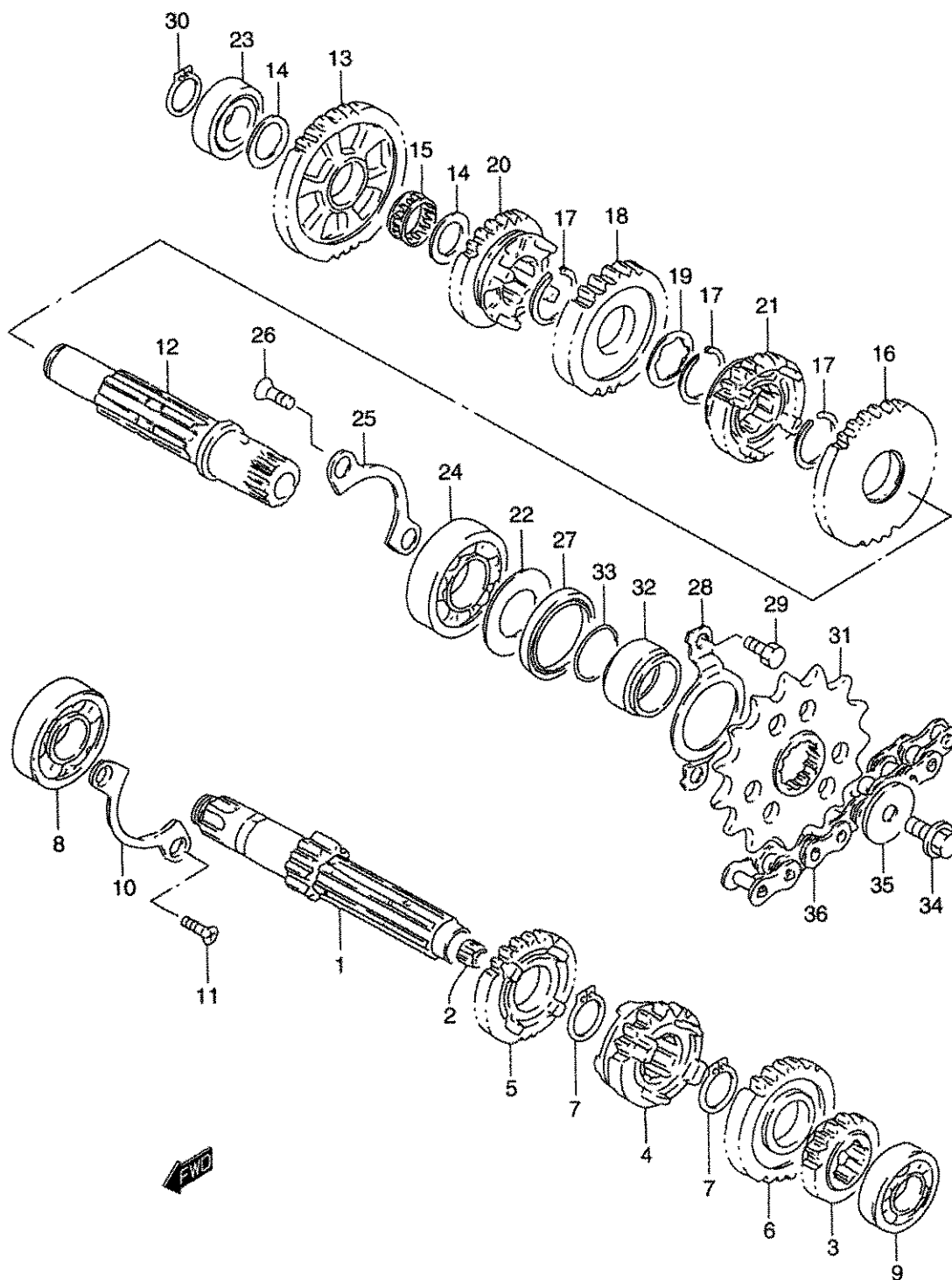
Bell's Suzuki
667 New Circle Road
Lexington, KY 40505
(859) 299-3521
www.bellssuzuki.com

**1996 SUZUKI
DR200SE 1996-2000
TRANSMISSION**



October 27, 2005

FIG.14



REF#	PART	#REQ	REMARKS	YOUR PRICE
1-1	SHAFT, COUNTER (NT:11) 24120-42A01	1		\$72.09
1-2	SHAFT, COUNTER (NT:11) 24120-42A01	1		\$72.09
2	BUSH, COUNTERSHAFT 24125-38201	1		\$2.62
3	GEAR, 2ND DRIVE (NT:15) 24221-42A02	1		\$44.28
4-1	GEAR, 3RD DRIVE (NT:16) 24231-42A03	1		\$52.25
4-2	GEAR, 3RD DRIVE (NT:16) 24231-42A03	1		\$52.25
5	GEAR, 4TH DRIVE (NT:21) 24241-42A00	1		\$38.91
6	GEAR, 5TH DRIVE (NT:23) 24251-42A03	1		\$43.88
7	CIRCLIP 09380-20009	2		\$0.92
8	BEARING, LH (20X47X14) 09262-20069	1		\$12.10
9	BEARING, RH 08123-60027	1		\$10.36
10	HOLDER, BEARING 24741-05200	1		\$2.62
11	SCREW 02122-06123	2		\$0.67
12	SHAFT, DRIVE 24130-42A20	1		\$73.64
13	GEAR, 1ST DRIVEN (NT:33) 24311-42A00	1		\$47.47
14-1	WASHER (17X26X1) 09181-17167	2		\$1.41
14-2	WASHER (17X26X1) 09181-17167	2		\$1.41
15	BEARING 09263-17004	1		\$5.26
16-1	GEAR, 2ND DRIVEN (NT:29) 24320-42A03	1		\$38.91
16-2	GEAR, 2ND DRIVEN (NT:29) 24320-42A03	1		\$38.91
17	CIRCLIP 09380-22006	3		\$1.48
18-1	GEAR, 3RD DRIVEN (NT:23) 24331-42A02	1		\$37.71
18-2	GEAR, 3RD DRIVEN (NT:23) 24331-42A02	1		\$37.71
19	WASHER (22.1X27X0.5) 09167-22011	1		\$1.48
20-1	GEAR, 4TH DRIVEN (NT:23) 24341-42A02	1		\$50.26
20-2	GEAR, 4TH DRIVEN (NT:23) 24341-42A02	1		\$50.26
21	GEAR, 5TH DRIVEN (NT:21) 24351-42A02	1		\$38.91
22	WASHER, OIL SEALING 24359-42A00	1		\$1.85
23	BEARING, RH 09264-17001	1		\$17.38
24	BEARING (22X50X14) 09262-22018	1		\$10.88
25	HOLDER, BEARING 24741-05200	1		\$2.62
26	SCREW 02122-06123	2		\$0.67
27	.SEAL, OIL LH (30X40X6) 09283-30053	1		\$4.66
28	RETAINER, DRIVE SHAFT OIL SEA 24751-42A10	1		\$1.85
29	BOLT, DRAIN PLUG 01500-06103	2		\$0.86
30	CIRCLIP 08331-31176	1		\$0.92
31	SPROCKET, ENGINE (NT:15) 27510-42A10	1		\$24.18
32	SPACER, ENGINE SPROCKET 27531-42A00	1		\$9.57
33	.O RING, OIL RETURN 09280-21008	1		\$0.92
34	BOLT, REAR 01550-08123	1		\$1.11
35	WASHER 08211-08283	1		\$1.37
36	CHAIN, DRIVE (DID520V) 27600-14A10-112	1		\$74.57

[\(close window\)](#)

Bell's Suzuki
667 New Circle Road
Lexington, KY 40505
(859) 299-3521
www.bellssuzuki.com

1996 SUZUKI
DR200SE 1996-2000
October 27, 2005
(prices subject to change without notice)



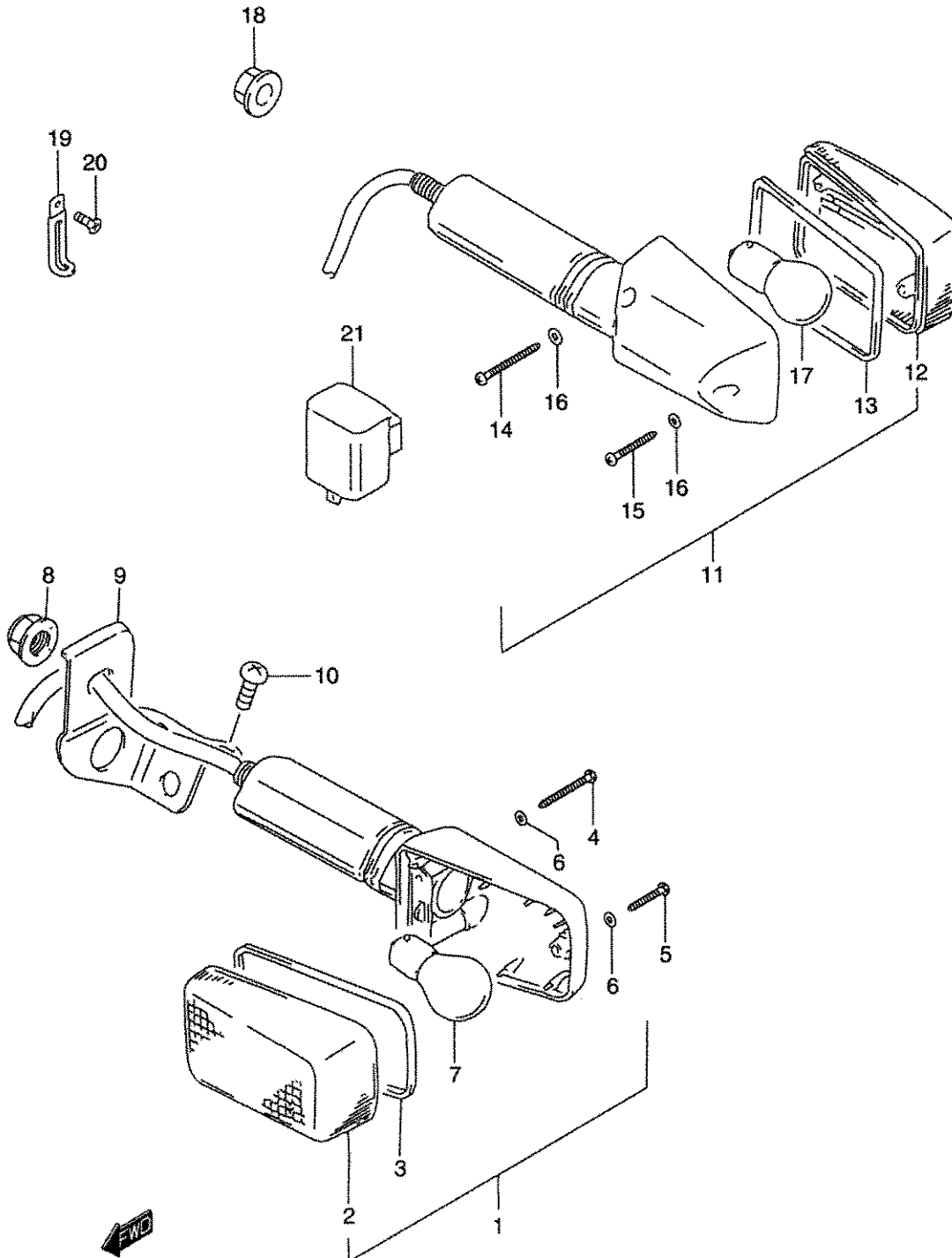
(close window)

Bell's Suzuki
667 New Circle Road
Lexington, KY 40505
(859) 299-3521
www.bellssuzuki.com

**1996 SUZUKI
DR200SE 1996-2000
TURN SIGNAL LAMP**
October 27, 2005



FIG.22



REF#	PART	#REQ	REMARKS	YOUR PRICE
1	LAMP ASSY, FRONT TURNSIGNAL 35601-29EC0	2		\$43.09
2	.LENS 35612-17C20	2		\$5.44
3	.GASKET 35613-27A00	2		\$2.22
4	.TAPPING SCREW 35623-27A00	4		\$0.67
5	.TAPPING SCREW 35725-40511	2		\$0.74
6	.GASKET 35627-27A02	6		\$0.63
7	.BULB (12V,21W) 09471-12045	2		\$1.16
8	NUT 08316-10103	2		\$1.07
9-1	BRACKET, FRONT TURN RH 35670-44A01	1		\$4.66
9-2	BRACKET, FRONT TURN LH 35680-44A01	1		\$4.66
10	.SCREW 02142-05083	2		\$0.63
11	LAMP ASSY, REAR TURNSIGNAL 35603-29EK0	2		\$48.25
12	.LENS 35652-17C20	2		\$5.44
13	.GASKET 35613-27A00	2		\$2.22
14	.TAPPING SCREW 35623-27A00	2		\$0.67
15	.TAPPING SCREW 35725-40511	2		\$0.74
16	.GASKET 35627-27A02	2		\$0.63
17	.BULB (12V,21W) 09471-12045	2		\$1.16
18	NUT 08316-10103	2		\$1.07
19	CLAMP 09404-06429	3		\$1.07
20	SCREW, INNER 03541-04103	3		\$0.63
21	RELAY, TURN SIGNAL 38610-31X50	1		\$35.10

[\(close window\)](#)

Bell's Suzuki
 667 New Circle Road
 Lexington, KY 40505
 (859) 299-3521
www.bellssuzuki.com

1996 SUZUKI
DR200SE 1996-2000
 October 27, 2005
 (prices subject to change without notice)



(close window)

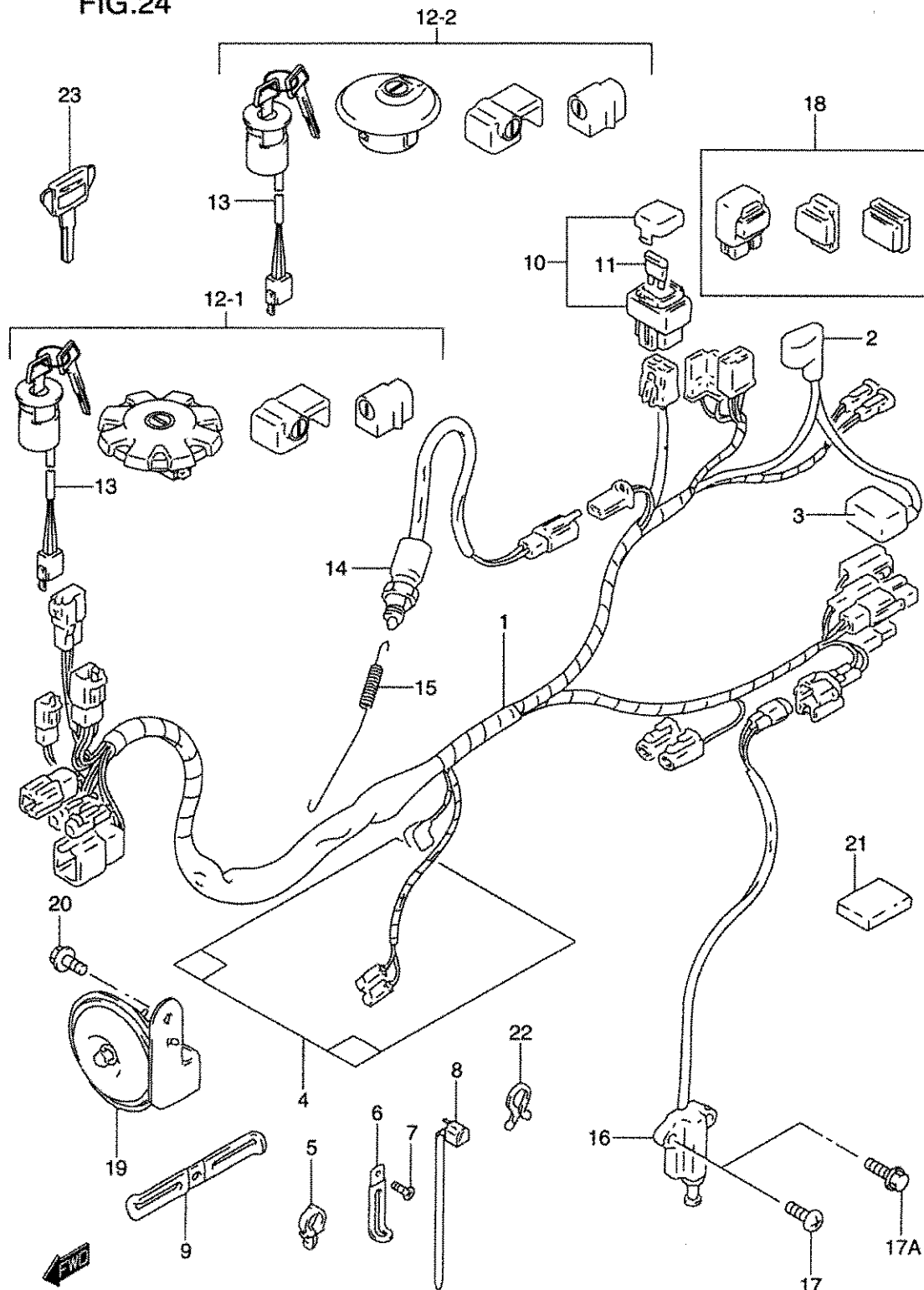
Bell's Suzuki
667 New Circle Road
Lexington, KY 40505
(859) 299-3521
www.bellsuzuki.com

**1996 SUZUKI
DR200SE 1996-2000
WIRING HARNESS**



October 27, 2005

FIG.24



REF#	PART	#REQ	REMARKS	YOUR PRICE
1	HARNESS, WIRING 36610-42A50	1		\$171.63
2	.CAP, STARTER RELAY 31861-10D00	1		\$3.66
3	.CAP, BATTERY (+) 33624-10D00	1		\$2.70
4	COVER, WIRING HARNESS 36618-15D20	2		\$8.13
5	CLAMP 09403-12404	1		\$0.74
6-1	CLAMP 09404-06429	4		\$1.07
6-2	CLAMP 09404-06434	2		\$1.04
7	SCREW, INNER 03541-04103	3		\$0.63
8-1	CLAMP L:95 09407-11401	1		\$1.06
8-2	CLAMP (L:125) 09407-14403	9		\$1.01
8-3	CLAMP (L:165) 09407-18402	2		\$1.04
8-4	CLAMP (L:235) 09407-25401	1		\$2.29
9	CLAMP, CLUTCH CABLE 36651-05301	1		\$2.00
10	FUSE ASSY 36740-24B01	1		\$12.16
11	.FUSE (20A) 09481-20101	1		\$1.00
12-1	LOCK SET 37000-44820	1		\$156.59
12-2	LOCK SET 37000-44830	1		\$178.29
13	SWITCH ASSY,IGN 37110-44A20	1		\$43.91
14	SWITCH ASSY, STOP LAMP 37740-31D00	1		\$14.45
15	SPRING 09443-06064	1		\$2.00
16	SWITCH ASSY, SIDE STAND 37840-44X50	1		\$51.46
17	.SCREW 02142-06203	2		\$0.63
17A	BOLT 01550-06203	2		\$0.97
18	RELAY ASSY. SIDE STAND 38740-24X50	1		\$23.80
19	HORN ASSY 38500-44B00	1		\$35.90
20	BOLT 01550-06123	1		\$0.97
21	PROTECTOR, WIRING HARNESS 36920-14D00	1		\$3.14
22	CLIP 09408-00012	2		\$0.97
23-1	KEY, BLANK (TYPE:C) 37146-03A00	1		\$5.17
23-2	KEY, BLANK (TYPE:D) 37146-03A10	1		\$5.17
23-3	KEY, BLANK (TYPE:E) 37146-03A20	1		\$5.17
23-4	KEY, BLANK (TYPE:F) 37146-03A30	1		\$5.17

(close window)

Bell's Suzuki
 667 New Circle Road
 Lexington, KY 40505
 (859) 299-3521
 www.bellssuzuki.com

1996 SUZUKI
DR200SE 1996-2000
 October 27, 2005
 (prices subject to change without notice)



print